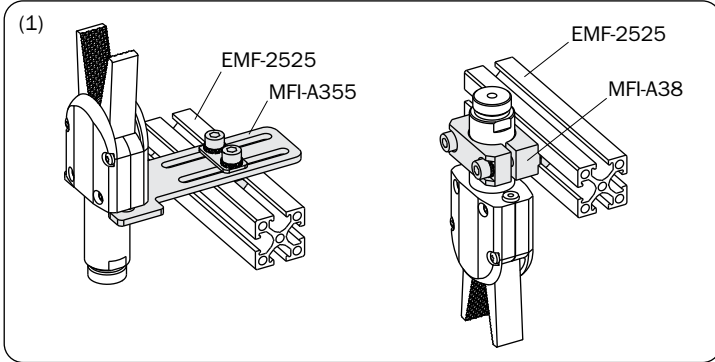


### 2-jaw self-centering angular pneumatic sprue gripper, series DA

- Single acting with spring opening.
- Several mounting accessories (1).
- Steel jaws.
- Plastic-steel-aluminium composite body (2).
- FDA-H1 food-grade grease.

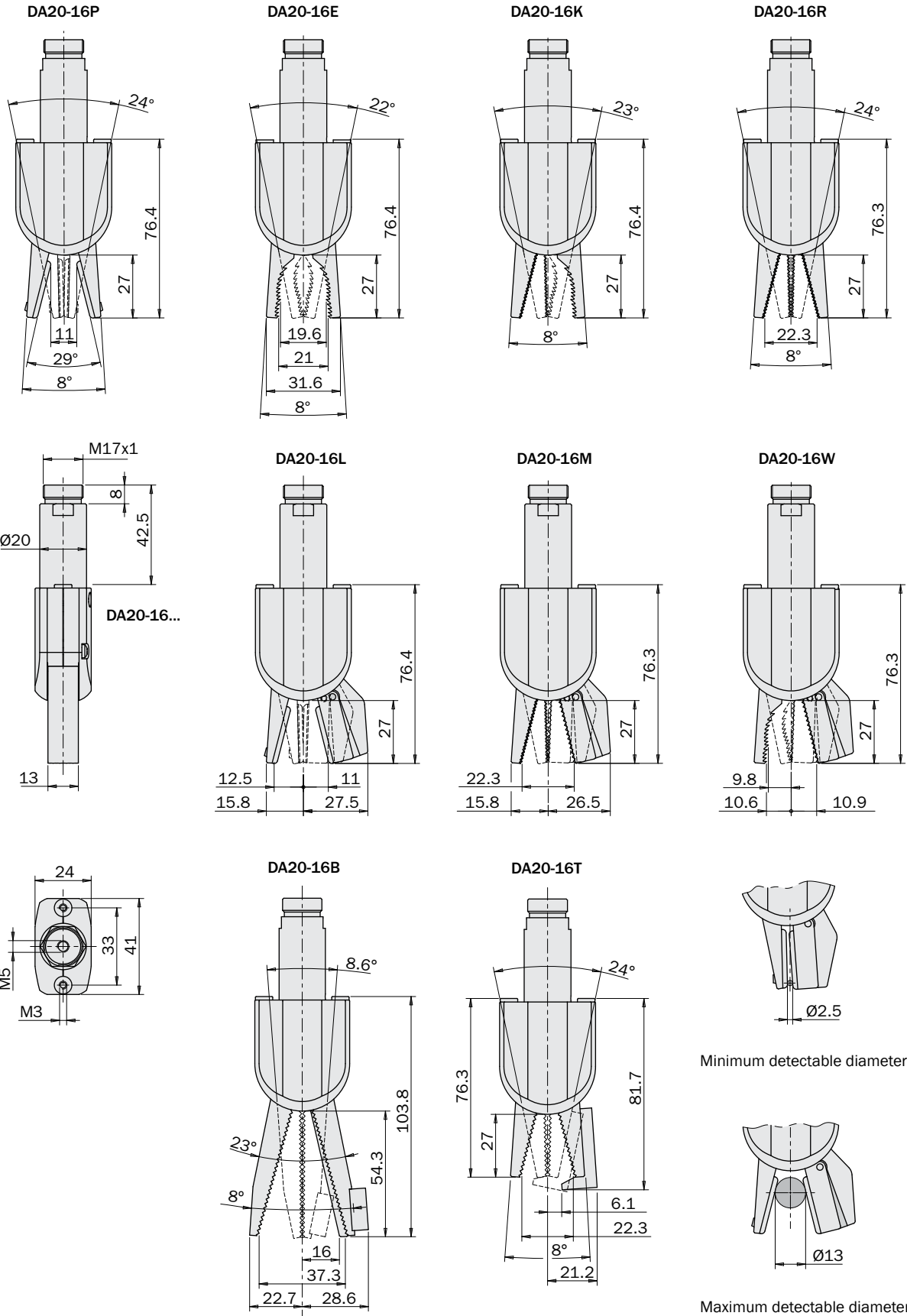


DA20-16B



	DA20-16R	DA20-16P	DA20-16E	DA20-16K	DA20-16M	DA20-16W	DA20-16L	DA20-16B	DA20-16T
Price	\$130.04	Call Gimatic USA							
Medium	Filtered, lubricated / non lubricated compressed air								
Pressure range	36 - 116 psi								
Temperature range	41 - 140°F								
Stroke	2 x 15°								
Closing torque at 87 psi each jaw	26.5 lb-in								
Total closing torque at 87 psi	53.1 lb-in								
Opening torque at 0 psi each jaw	1.77 lb-in								
Total opening torque at 0 psi	3.54 lb-in								
Maximum working frequency	2 Hz								
Cycle air consumption	0.21 in <sup>3</sup>								
Closing time	0.02 s								
Weight	155 g	150 g	155 g	155 g	160 g	160 g	155 g	199 g	164 g

**Dimensions (mm)**



FIRST ANGLE PROJECTION