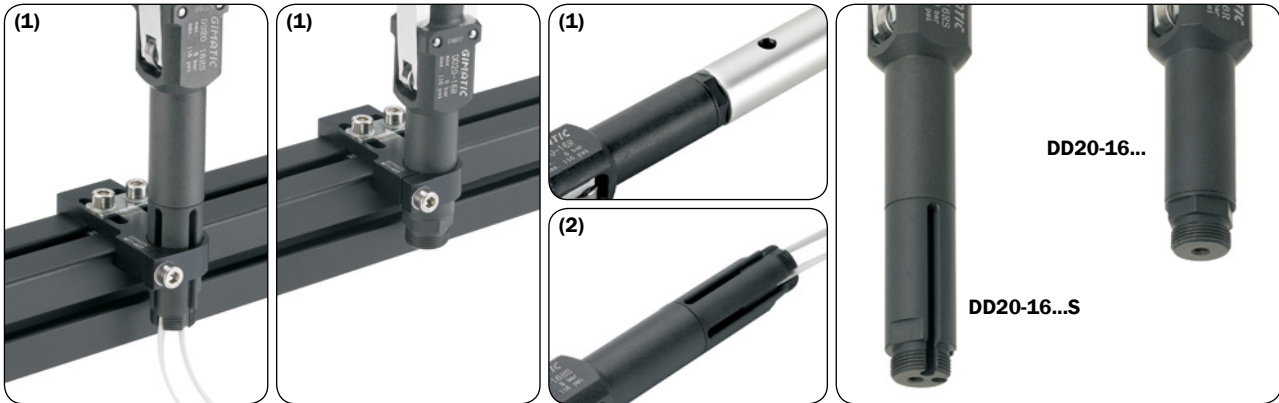


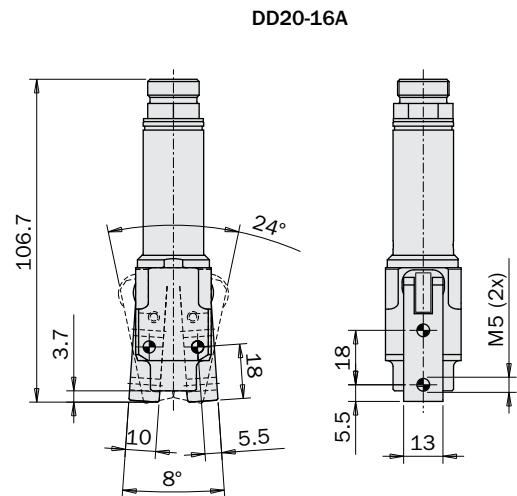
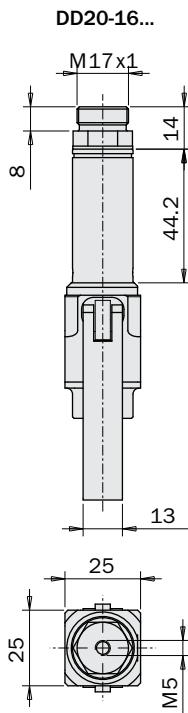
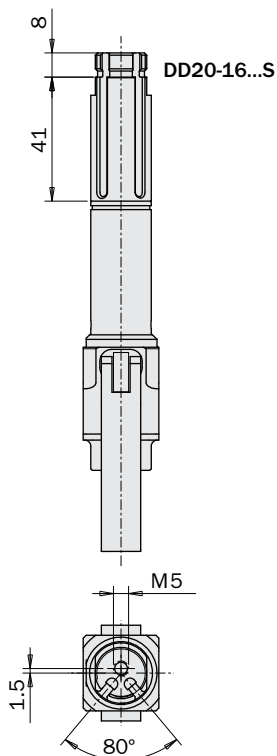
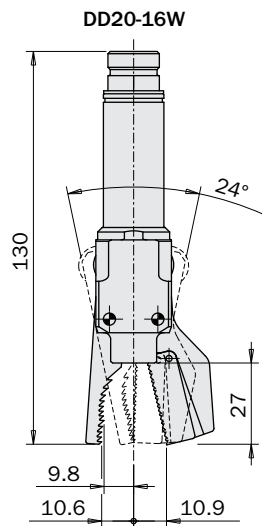
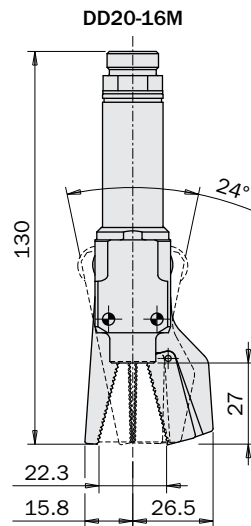
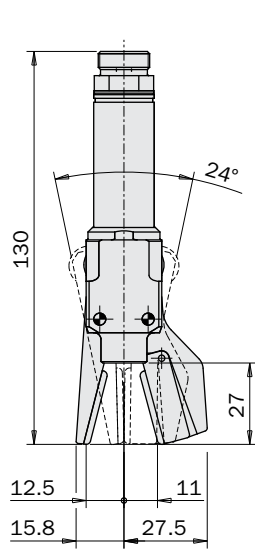
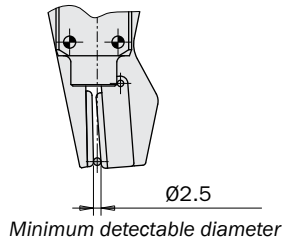
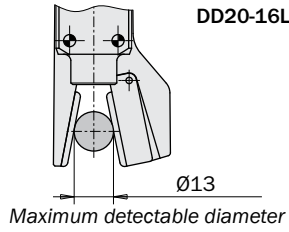
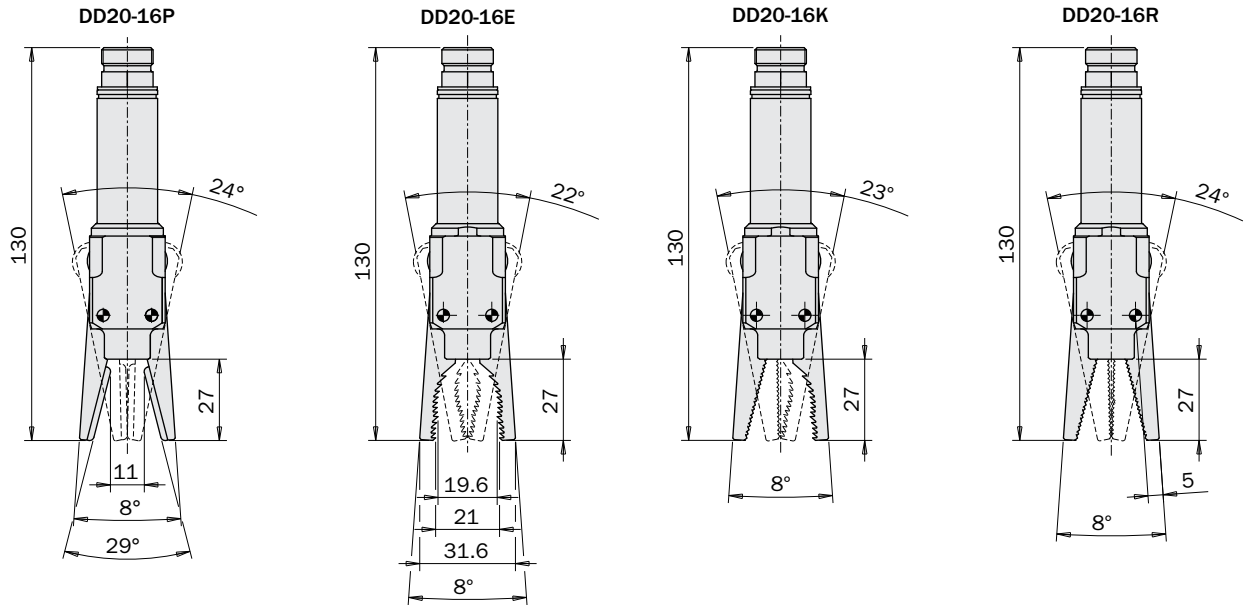
2-jaw self-centering angular pneumatic sprue gripper, series DD

- Single acting with spring opening.
- Very high closing force.
- Several mounting accessories (1).
- Optional magnetic sensors (2).
- Steel jaws.



	DD20-16R DD20-16RS	DD20-16P DD20-16PS	DD20-16E DD20-16ES	DD20-16K DD20-16KS	DD20-16A DD20-16AS	DD20-16M	DD20-16W	DD20-16L
Medium	Filtered, lubricated / non lubricated compressed air							
Pressure range	2.5 ÷ 8 bar							
Temperature range	5 ÷ 60 °C.							
Stroke	2 x 15°							
Closing torque at 6 bar each jaw	300 Ncm							
Total closing torque at 6 bar	600 Ncm							
Opening torque at 0 bar each jaw	20 Ncm							
Total opening torque at 0 bar	40 Ncm							
Maximum working frequency	2 Hz							
Cycle air consumption	3.6 cm³							
Closing time without load	0.02 s							
Weight	165 g 190 g	160 g 195 g	165 g 200 g	170 g 200 g	135 g 175 g	165 g	170 g	160 g
Price	\$169 \$215	\$188 \$231	\$188 \$231	\$178 \$222	\$169 \$215	\$209	\$209	\$227

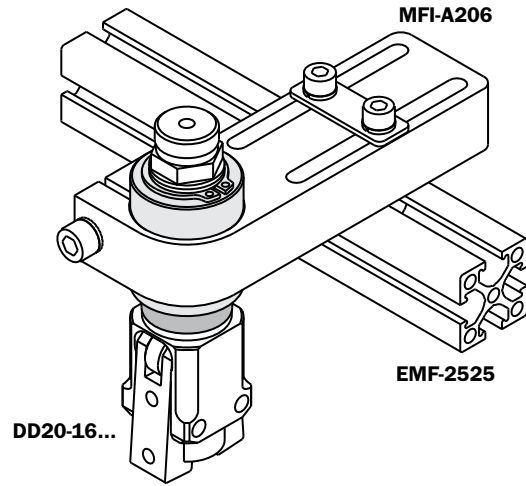
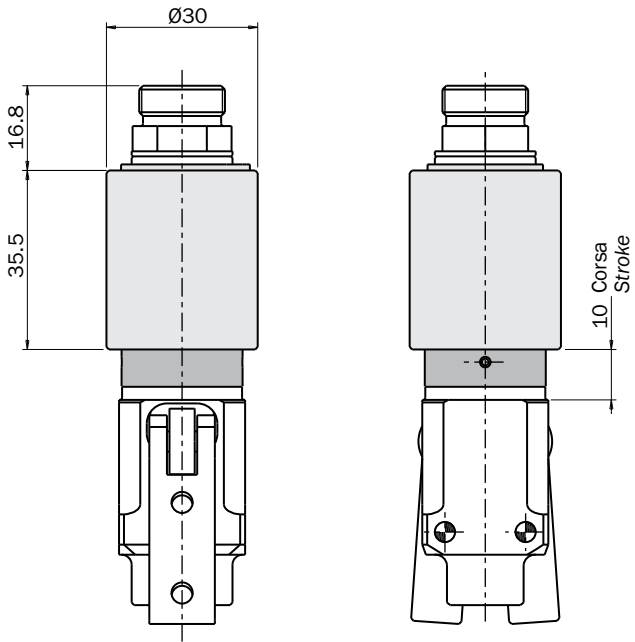
Dimensions (mm)



FIRST ANGLE PROJECTION

Suspension

By the accessories DD20-K1 and TFA20SP10, it is possible to mount the gripper on a 10mm stroke suspension.



	DD20-K1	TFA20SP10
Weight	5 g	85 g
Price	\$27.90	\$32.00

