

**Air nipper actuators series GN**

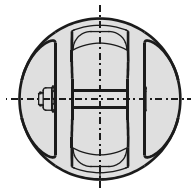
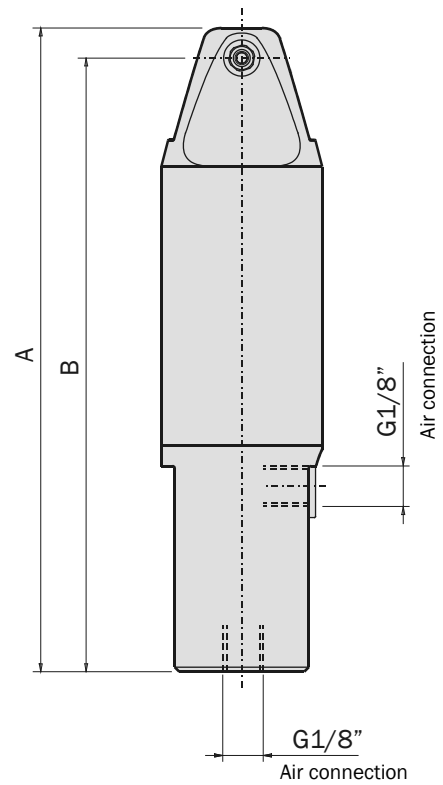
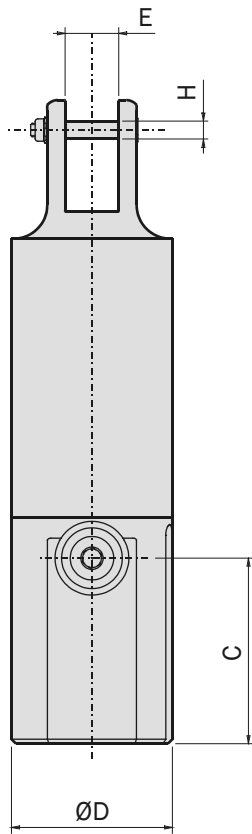
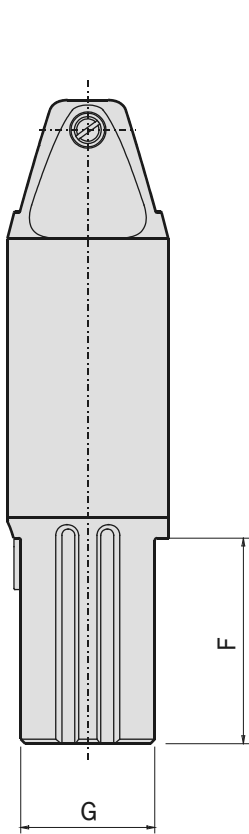
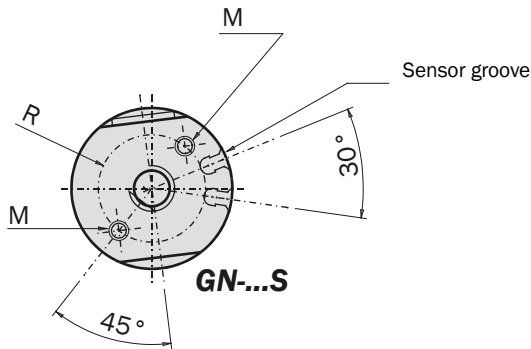
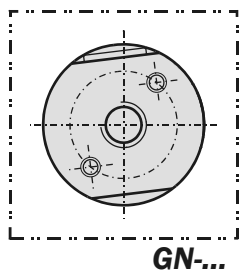
- Five sizes available.
- Single-acting.
- Self-centering.
- Usable with several standard blades.
- Magnetic pistons for sensor detection (GN...S only).
- Optional magnetic sensors.



	GN-05 GN-05S	GN-10 GN-10S	GN-20 GN-20S	GN-30 GN-30S	GN-50 GN-50S
Medium	Filtered, lubricated / non lubricated compressed air				
Pressure range	2 ÷ 8 bar				
Temperature range	5° ÷ 60 °C				
Cutting capacity	Ø2 mm	Ø4 mm	Ø7 mm	Ø10 mm	Ø12 mm
Stroke	2x7°	2x5°	2x7°	2x7.5°	2x12°
Piston bore	Ø25 mm	Ø30 mm	Ø40 mm	Ø50 mm	Ø63 mm
Closing torque at 6 bar each blade	11 Nm	38 Nm	67 Nm	150 Nm	116 Nm
Total closing torque at 6 bar	22 Nm	76 Nm	134 Nm	300 Nm	232 Nm
Cycle air consumption	14 cm <sup>3</sup>	25 cm <sup>3</sup>	78 cm <sup>3</sup>	170 cm <sup>3</sup>	269 cm <sup>3</sup>
Weight without blade	102 g 125 g	157 g 208 g	263 g 370 g	480 g 715 g	1100 g 1440 g
Price	\$174.00 \$186.00	\$179.00 \$198.00	\$205.00 \$228.00	\$218.00 \$241.00	\$471.00 \$522.00

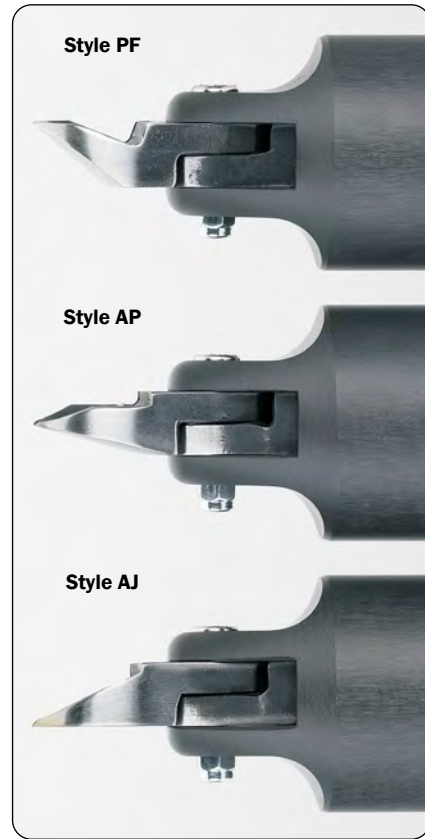
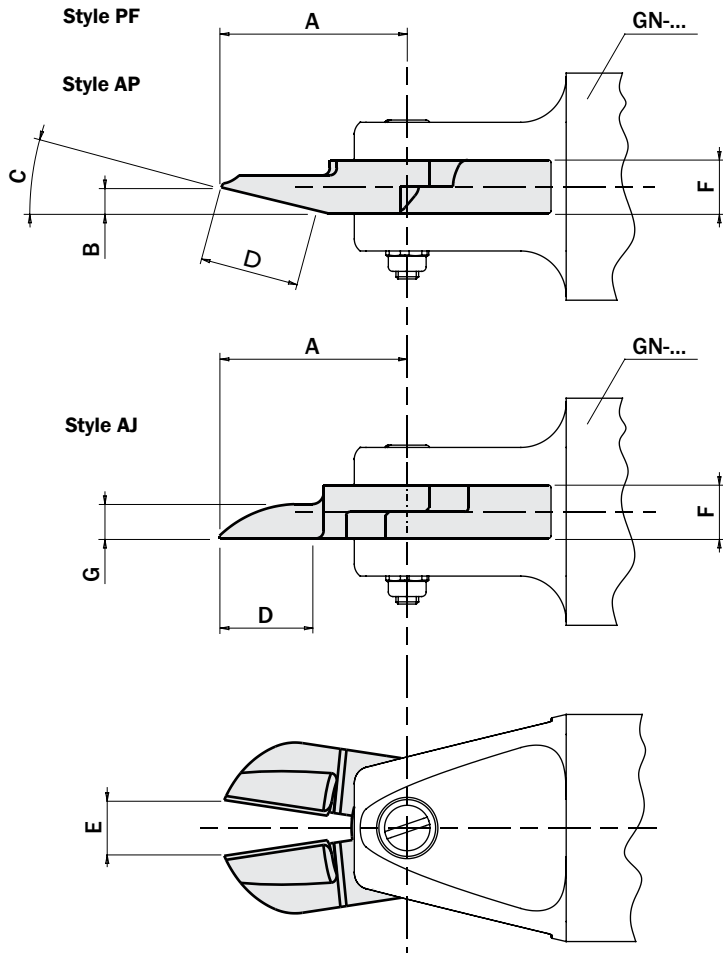
**Dimensions (mm)**

	A	B	C	D	E	F	G	H	M	R
GN-05	94	87	10.5	Ø30	7	15	24	Ø4	M4x6.5	R 10
GN-05S	118	111	34.5	Ø30	7	40	24	Ø4	M4x6.5	R 10
GN-10	113	106.3	10.5	Ø36	12	15	30	Ø4	M4x7	R 12
GN-10S	144	137.3	41.5	Ø36	12	46	30	Ø4	M4x7	R 12
GN-20	129	119.8	10.5	Ø45	12	15	36	Ø4	M5x8	R 15
GN-20S	177	167.8	58.5	Ø45	12	63	36	Ø4	M5x8	R 15
GN-30	165	155	10.5	Ø56	17	15	46	Ø5	M6x12	R 20
GN-30S	230	220	75	Ø56	17	80	46	Ø5	M6x12	R 20
GN-50	178	169	10.5	Ø75	17	15	70	Ø5	M6x12	R 25
GN-50S	238	229	70	Ø75	17	75	70	Ø5	M6x12	R 25



FIRST ANGLE PROJECTION

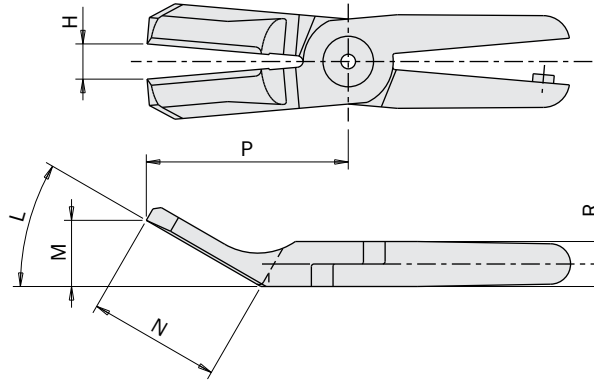
Standard blades



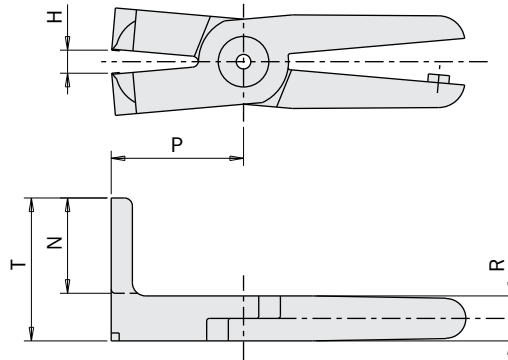
Blades	Nipper	Blade style	A	B	C	D	E	F	G	Weight	Price
G.N5AJ	GN-05...	inline	24	-	-	13	4	7	4.5	33 g	\$109.00
G.N5AP	GN-05...	standard	24	3.6	15°	11.5	4	7	-	34 g	\$94.00
G.N5PF	GN-05...	deep angle	24	7	40°	9.7	4	7	-	35 g	\$98.00
G.N10LAJ	GN-10...	long inline	35	-	-	18	5.5	12	8	117 g	\$138.00
G.N10LAP	GN-10...	long, standard	36	5.3	15°	16	6.5	12	-	115 g	\$98.00
G.N10LPF	GN-10...	long, deep angle	35	12	40°	13.5	6.5	12	-	112 g	\$129.00
G.N20AJ	GN-20...	inline	34.5	-	-	18	12	12	8	121 g	\$128.00
G.N20AP	GN-20...	standard	35	3.5	15°	16	11.5	12	-	120 g	\$97.00
G.N20PF	GN-20...	deep angle	35	12	40°	13.5	11.5	12	-	124 g	\$96.00
G.N20AJL	GN-20...	long inline	65	-	-	20	15.4	12	7.2	220 g	\$152.00
G.N30AJ	GN-30... GN-50...	inline	52	-	-	30	10.5 22	17	8	365 g	\$138.00
G.N30AP	GN-30... GN-50...	standard	67	11	15°	38	17.5 29.5	17	-	380 g	\$126.00
G.N30PF	GN-30... GN-50...	deep angle	58	17	30°	27	16 26.5	17	-	388 g	\$132.00

**Special blades**

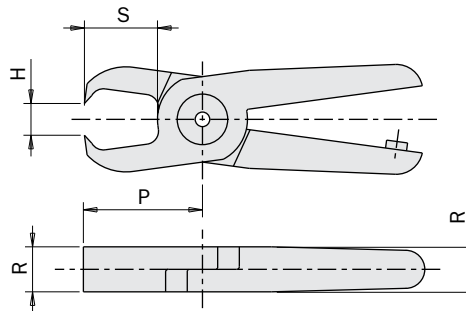
**Style AA**



**Style AL**



**Style AE**



Blades	Nipper	Blade style	H	L	M	N	P	R	S	T	Weight
G.N10LAB152	GN-10...	AA	10	15°	9	35	60.5	12	-	-	165 g
G.N20AB360	GN-20...	AA	15	15°	9	35	60.5	12	-	-	185 g
G.N30AA114	GN-30... GN-50...	AA	20 34	30°	25	50	76	17	-	-	385 g
G.N30AA	GN-30... GN-50...	AA	15 26	60°	27.7	32	55	17	-	-	390 g
G.N20ALLLL	GN-20...	AL	11	-	-	18	40	12	-	30	190 g
G.N30FAL	GN-30... GN-50...	AL	13 22	-	-	35	50	17	-	54	455 g
G.N10LAE269	GN-10...	AE	5	-	-	-	28	12	15.5	-	120 g
G.N20AE	GN-20...	AE	8.5	-	-	-	28	12	15.5	-	135 g
G.N30AE	GN-30... GN-50...	AE	12.5 20	-	-	-	45	17	28	-	395 g

Consult manufacturer if a different kind of blade is needed.