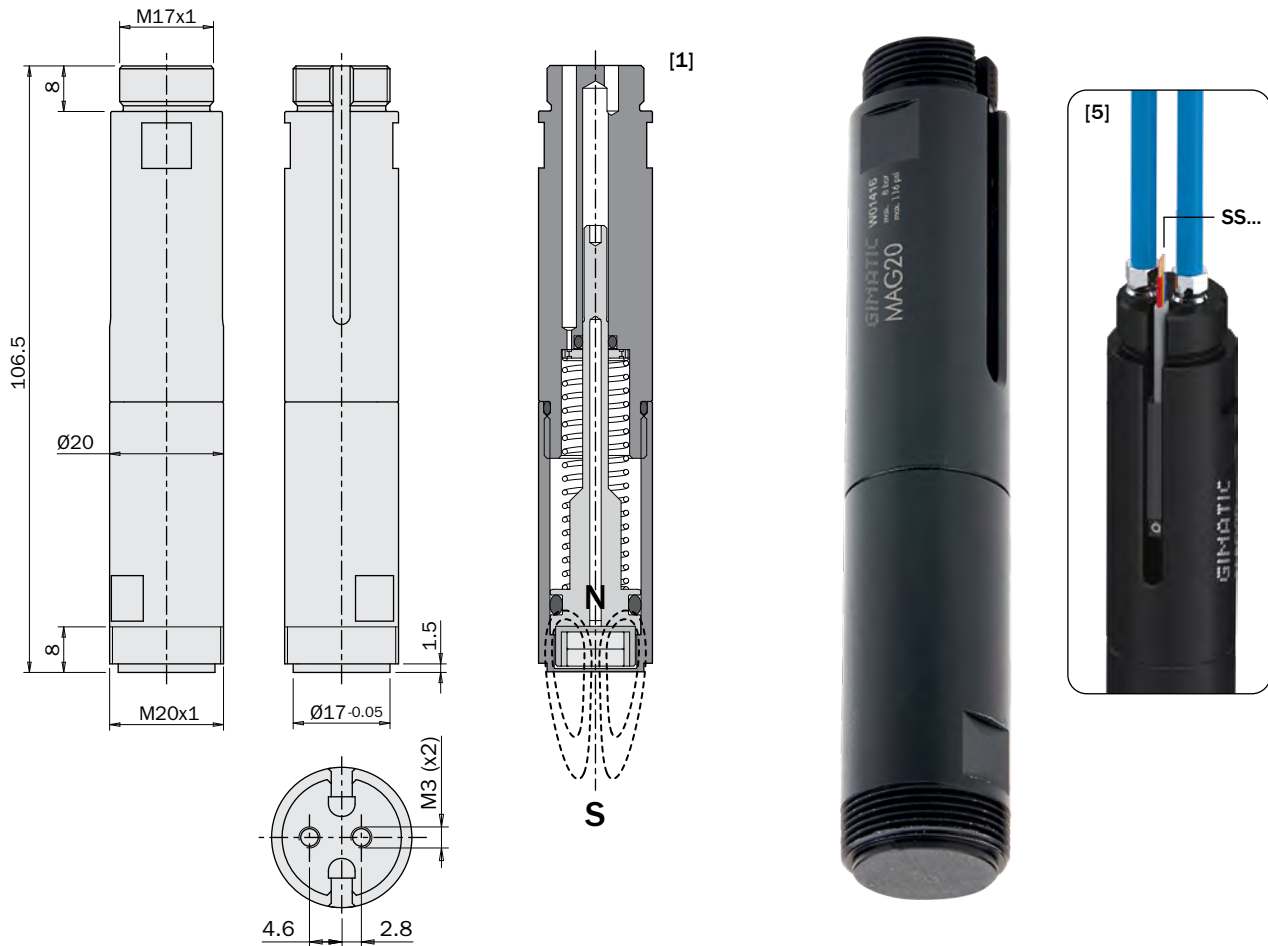


## Pneumatic magnetic gripper

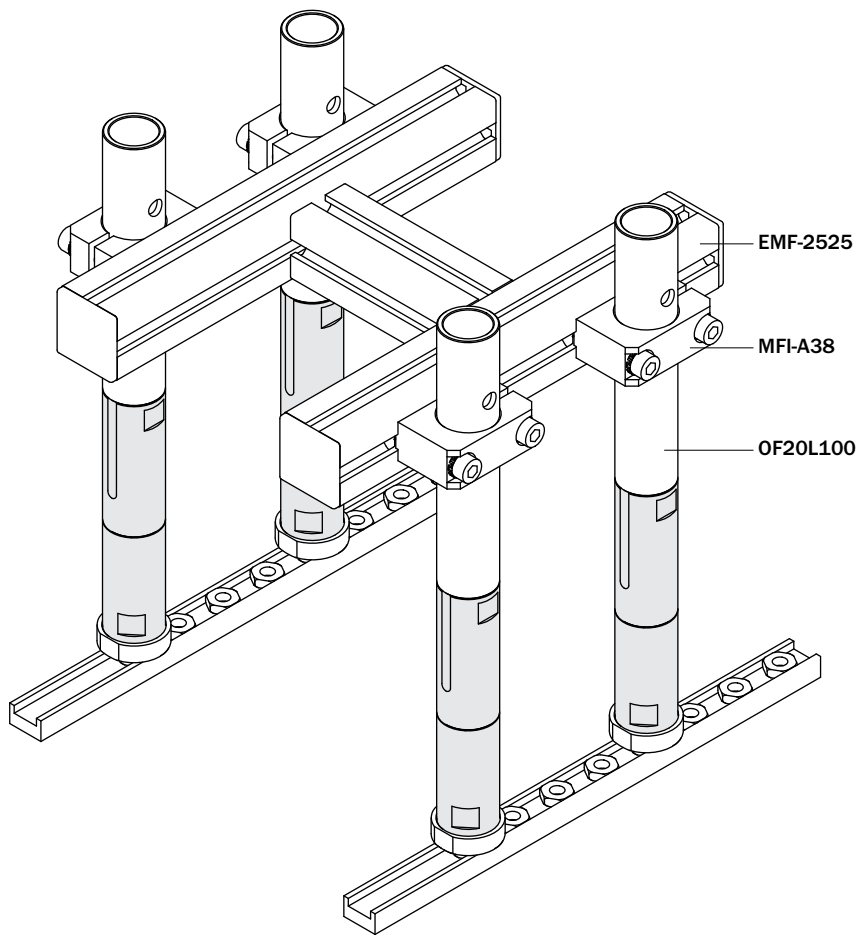
- Double-acting pneumatic piston, 16mm bore, with reset spring in holding position [1].
- Suitable for handling small parts in ferromagnetic material.
- Various MFI series accessories for clamp-mounting on the outer diameter [2].
- Suitable for handling magnets [3].
- Holding point polarity: south.
- Magnetic field concentrated at the holding point [1].
- Easy centring of the handled part [4].
- Optional magnetic sensors [5].
- FDA-H1 food-grade grease.



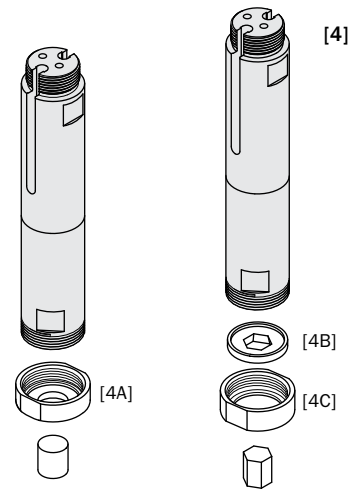
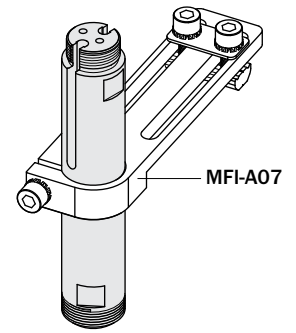
|                           | MAG20  |
|---------------------------|--|
| Price                     | \$399.00   |
| Medium                    | Filtered, lubricated / non lubricated compressed air |
| Pressure range            | 29-116 psi   |
| Temperature range         | 41-140°F   |
| Stroke                    | 23 mm  |
| Piston bore               | Ø16 mm   |
| Magnetic strength         | 7 N (1.57 lbf)                                       |
| Maximum working frequency | 1.5 Hz   |
| Cycle air consumption     | 11.2 cm³   |
| Weight                    | 70 g   |

**Application examples**

[2]



[2]



(\*)  
Accessories not supplied

[3]

