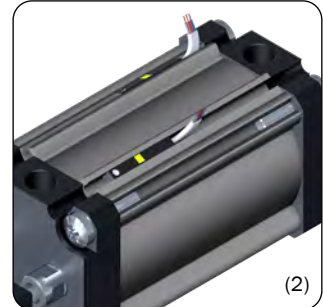
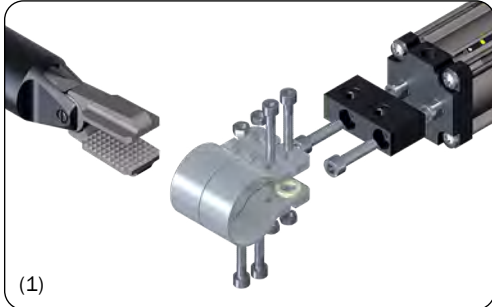


**Guided cylinder with twin rods**

- Double acting.
- Piston bore: 40mm.
- Stroke: 30mm or 50mm.
- Several mounting accessories (1).
- Optional magnetic sensors (2).
- FDA-H1 food-grade grease.



**OFB40-A30  
OFB40-A50**



**OFB40-B30  
OFB40-B50**



**OFB40-C30  
OFB40-C50**

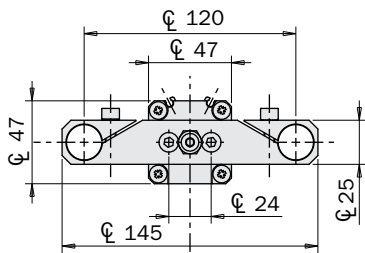
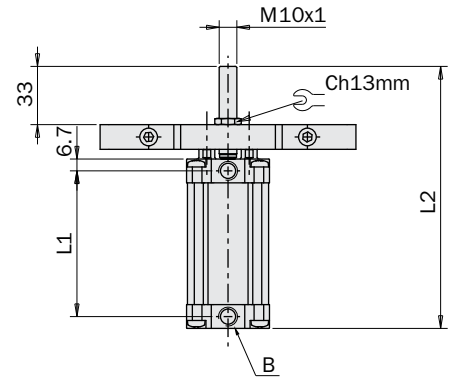
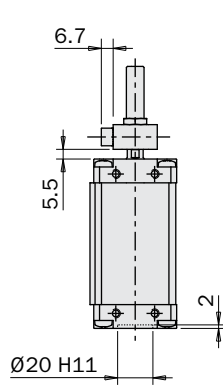
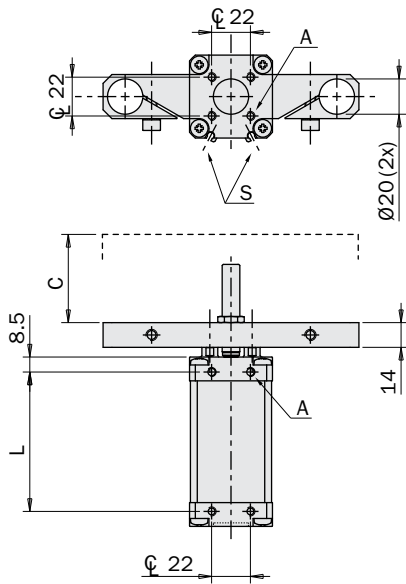
|                            | OFB40-A30  | OFB40-A50           | OFB40-B30          | OFB40-B50           | OFB40-C30          | OFB40-C50           |
|----------------------------|--|---------------------|--------------------|---------------------|--------------------|---------------------|
| Price                      | \$179.00   | \$180.00            | \$179.00           | \$180.00            | \$179.00           | \$180.00            |
| Medium                     | Filtered, lubricated / non lubricated compressed air |                     |                    |                     |                    |                     |
| Pressure range             | 29-116 psi   |                     |                    |                     |                    |                     |
| Temperature range          | 41-140°F   |                     |                    |                     |                    |                     |
| Piston bore                | Ø40 mm   |                     |                    |                     |                    |                     |
| Retraction force at 87 psi | 148 lbf  |                     |                    |                     |                    |                     |
| Extension force at 87 psi  | 169 lbf  |                     |                    |                     |                    |                     |
| Stroke (±0.3 mm)           | 30 mm  | 50 mm               | 30 mm              | 50 mm               | 30 mm              | 50 mm               |
| Cycle air consumption      | 71 cm <sup>3</sup>                                   | 118 cm <sup>3</sup> | 71 cm <sup>3</sup> | 118 cm <sup>3</sup> | 71 cm <sup>3</sup> | 118 cm <sup>3</sup> |
| Weight                     | 475 g  | 520 g               | 395 g              | 445 g               | 405 g              | 455 g               |

**Dimensions (mm)**

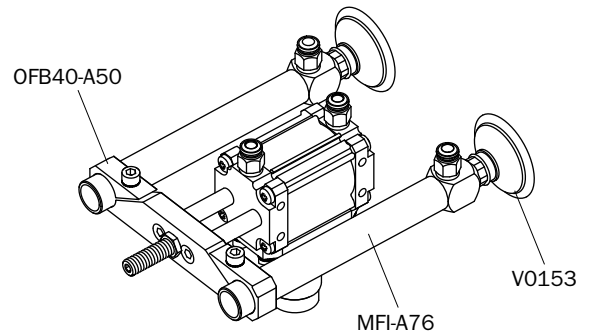
|    | OFB40-A30 | OFB40-A50 |
|----|-----------|-----------|
| A  | M5x10     | M5x10     |
| B  | 1/8       | 1/8       |
| C  | 30        | 50        |
| L  | 59        | 79        |
| L1 | 62.6      | 82.6      |
| L2 | 128.5     | 148.5     |

- A** Fastening holes
- B** Air connection port
- C** Stroke
- S** Magnetic sensor slot

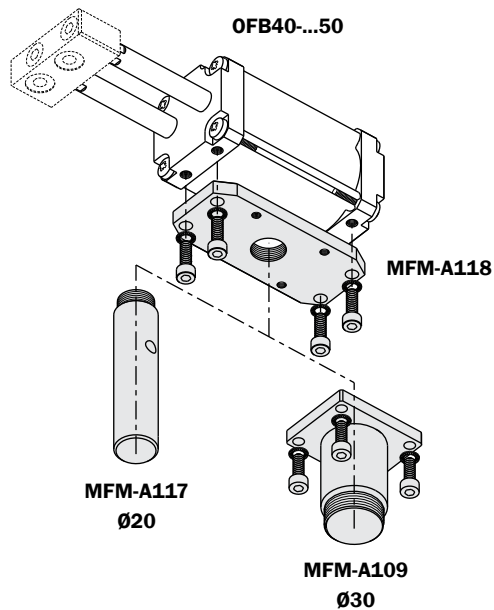
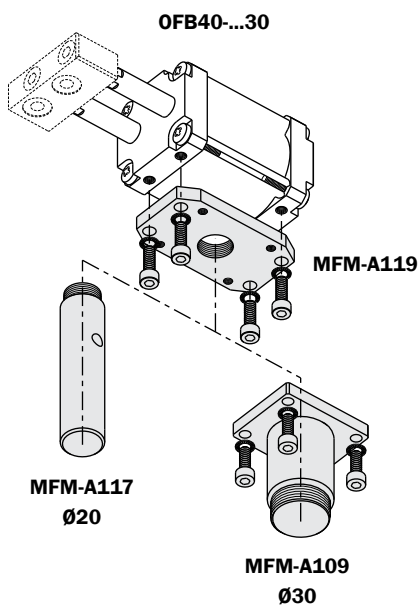
FIRST ANGLE PROJECTION



**Application examples**



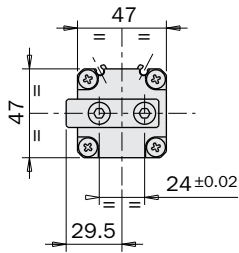
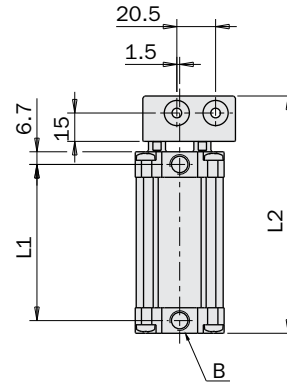
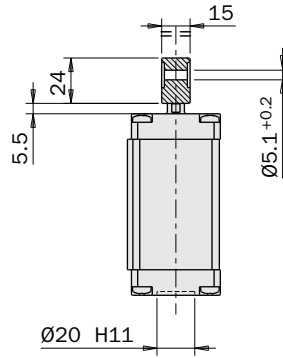
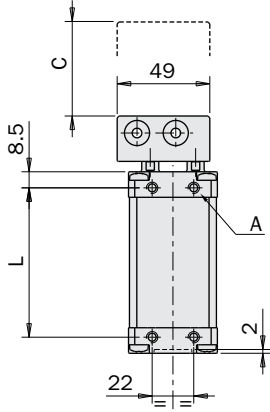
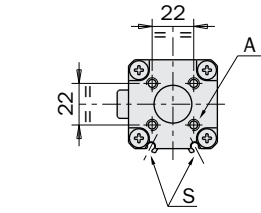
**Cylinder mounting**



Dimensions (mm)

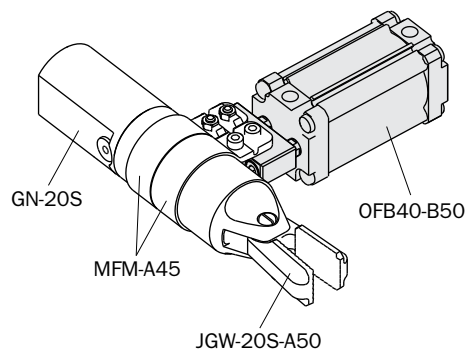
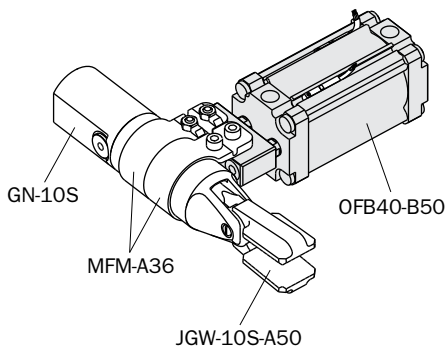
|    | OFB40-B30 | OFB40-B50 |
|----|-----------|-----------|
| A  | M5x10     | M5x10     |
| B  | 1/8       | 1/8       |
| C  | 30        | 50        |
| L  | 59        | 79        |
| L1 | 62.6      | 82.6      |
| L2 | 105.5     | 125.5     |

FIRST ANGLE PROJECTION

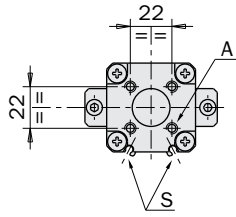


- A** Fastening holes
- B** Air connection port
- C** Stroke
- S** Magnetic sensor slot

Application examples

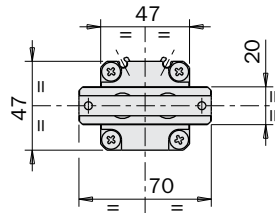
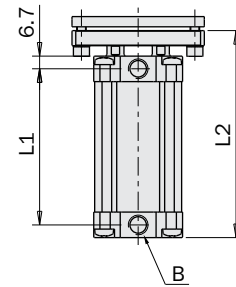
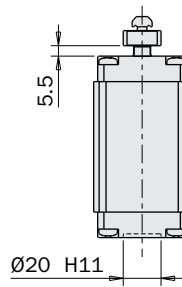
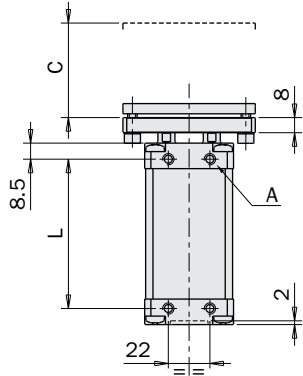


**Dimensions (mm)**



|    | OFB40-C30 | OFB40-C50 |
|----|-----------|-----------|
| A  | M5x10     | M5x10     |
| B  | 1/8       | 1/8       |
| C  | 30        | 50        |
| L  | 59        | 79        |
| L1 | 62.6      | 82.6      |
| L2 | 89.5      | 109.5     |

FIRST ANGLE PROJECTION



- A** Fastening holes
- B** Air connection port
- C** Stroke
- S** Magnetic sensor slot

**Application examples**

