

One finger angular pneumatic grippers for clamping, series OFF

- Single acting.
- Soft contact by means of HNBR pads, custom fingers, or NBR, Silicone or Viton O-rings.
- Several mounting accessories.
- Magnetic sensors and relevant mounting brackets as option.
- Food grade grease FDA-H1.

OFF20



OFF14

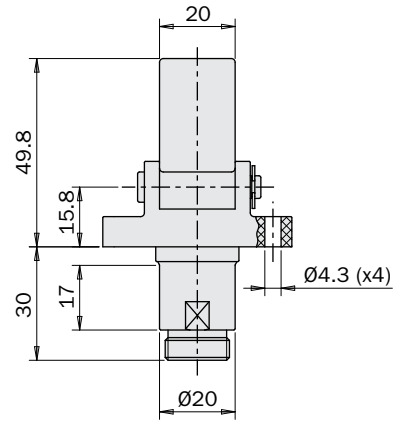
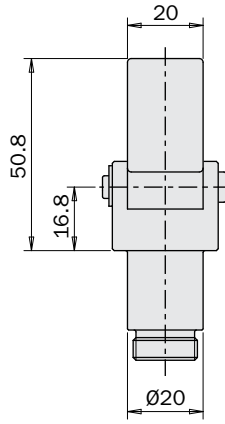
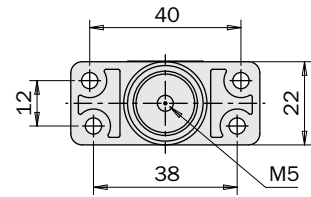
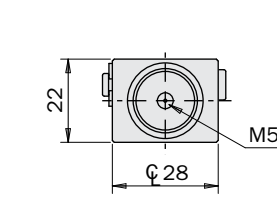
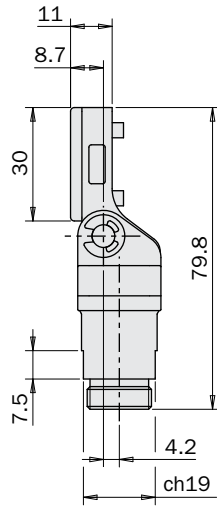
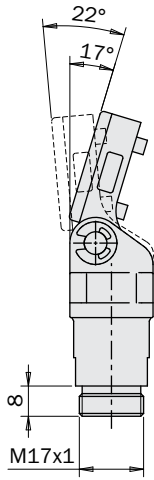


OFF21



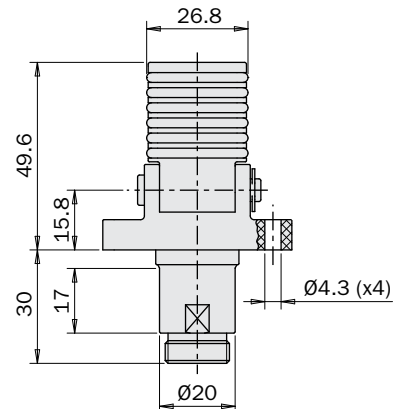
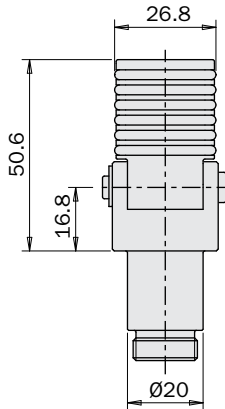
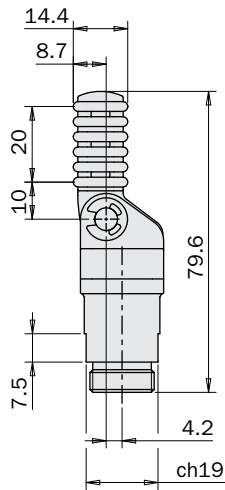
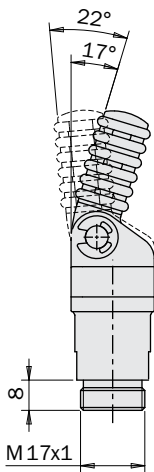
		OFF21A-20	OFF14A-25
HNBR	OFF20P-20	OFF21P-20	OFF14P-25
NBR	OFF20N-20	OFF21N-20	
Silicone	OFF20S-20	OFF21S-20	
Viton	OFF20V-20	OFF21V-20	
Price	\$34.95	\$78.75	\$78.75 \$97.00
Body construction	plastic (nylon) / aluminium		aluminium
Medium	Filtered, lubricated / non lubricated compressed air		
Pressure range	29–116 psi		
Temperature range	41–140°F		
Stroke	21°	21°	25°
Piston bore	16 mm	16 mm	11 mm
Closing torque at 87 psi	8.85 lb-in	8.85 lb-in	3.54 lb-in
Cycle air consumption	1.08 cm ³	1.08 cm ³	0.4 cm ³
Weight	40 g	45 g	18 g

Dimensions (mm)



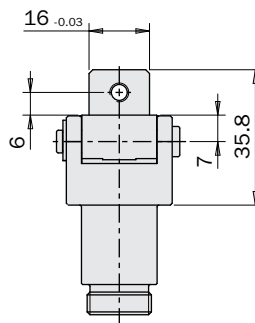
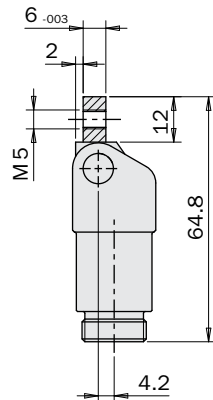
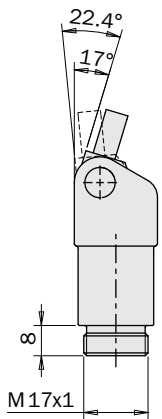
OFP21P-20

OFP20P-20



OFP21N-20
OFP21S-20
OFP21V-20

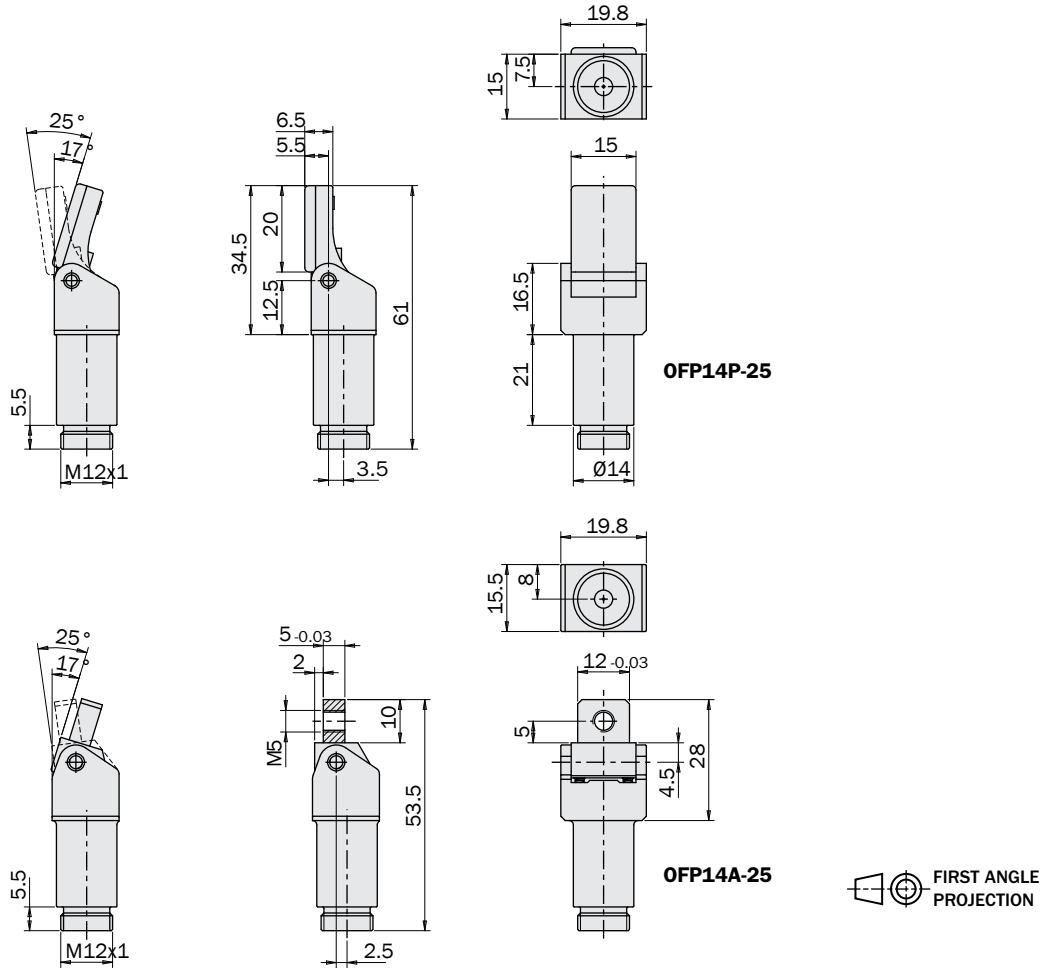
OFP20N-20
OFP20S-20
OFP20V-20



OFP21A-20



Dimensions (mm)

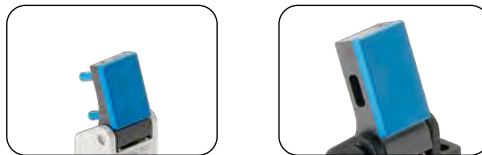


Spare O-Ring



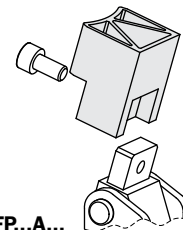
	OFP20N-20R	OFP20S-20R	OFP20V-20R
Material	NBR	Silicone	Viton
Gripper	OFP20N-20 OFP21N-20	OFP20S-20 OFP21S-20	OFP20V-20 OFP21V-20
Temperature range	41-212°F	41-392°F	41-392°F
Price	\$6.77	\$8.27	\$7.27

Spare pad



	OFR2095 16	OFR3095 16
Material	HNBR	HNBR
Gripper	OFP14P-25	OFP20P-20 OFP21P-20
Temperature range	41-302°F	41-302°F
Price	\$4.25	\$6.35

Custom service HP



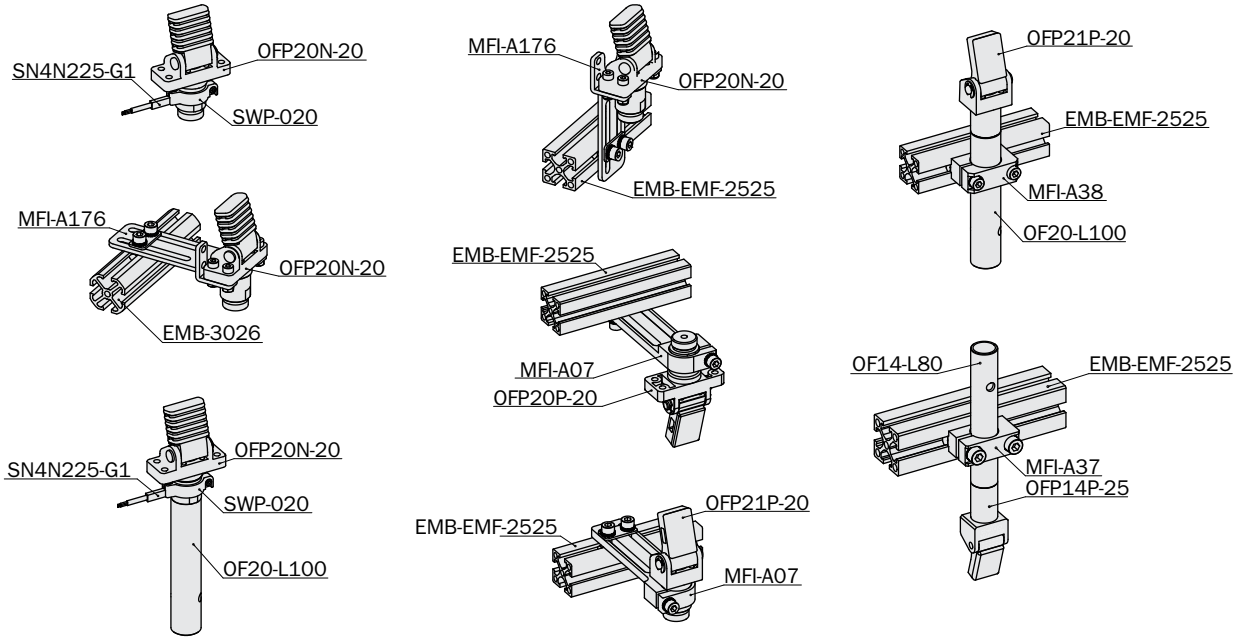
OFF...A...

Custom fingers can be ordered from Gimatic's 3D Printing Service.

Fastening

The OFF grippers have an aluminum body and can be clamped with all MFI accessories with 14mm and 20mm diameter.

MFI-A176 can be used with OFF20.



Sensors

The operating position is detected by magnetic proximity sensors (optional) through a magnet placed on the piston. The use of magnetic proximity sensors is to be avoided in the vicinity of large masses of ferromagnetic material or intense magnetic fields as this may cause detection problems.

The sensors that can be used are:

SN4N225G	\$26.14	PNP	2.5m cable
SN4M225G	\$26.14	NPN	2.5m cable
SN3N203G	\$29.96	PNP	Snap M8 plug connector
SN3M203G	\$29.96	NPN	Snap M8 plug connector

