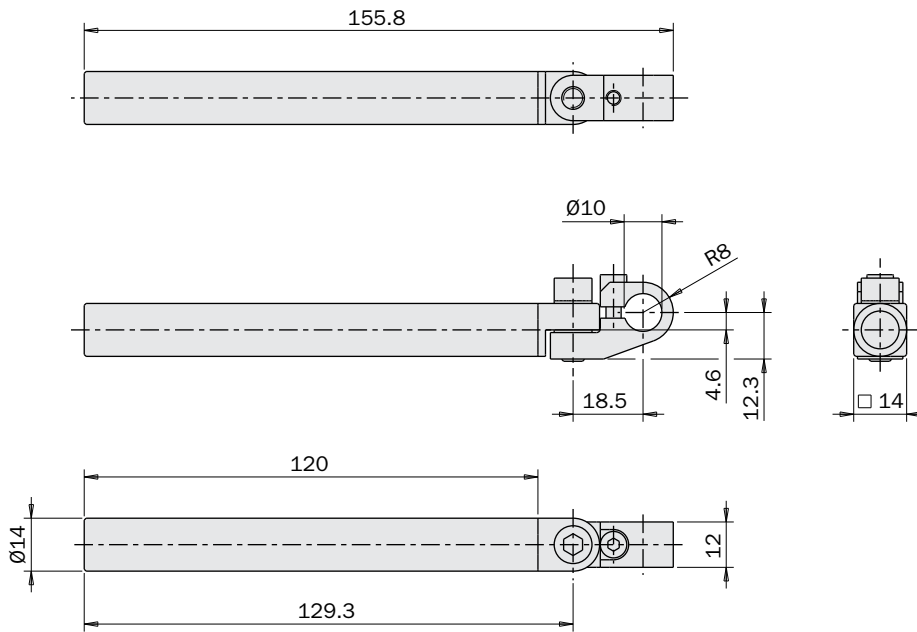


Heavy duty clamp leg

(kit with screws)



MFI-A332	
Weight	50 g
Price	\$28.74



Application example

