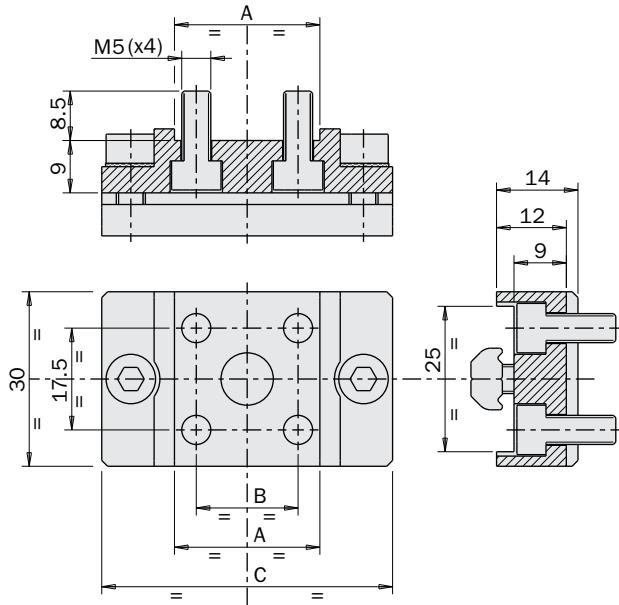


**Vertical fastening of the profiles**

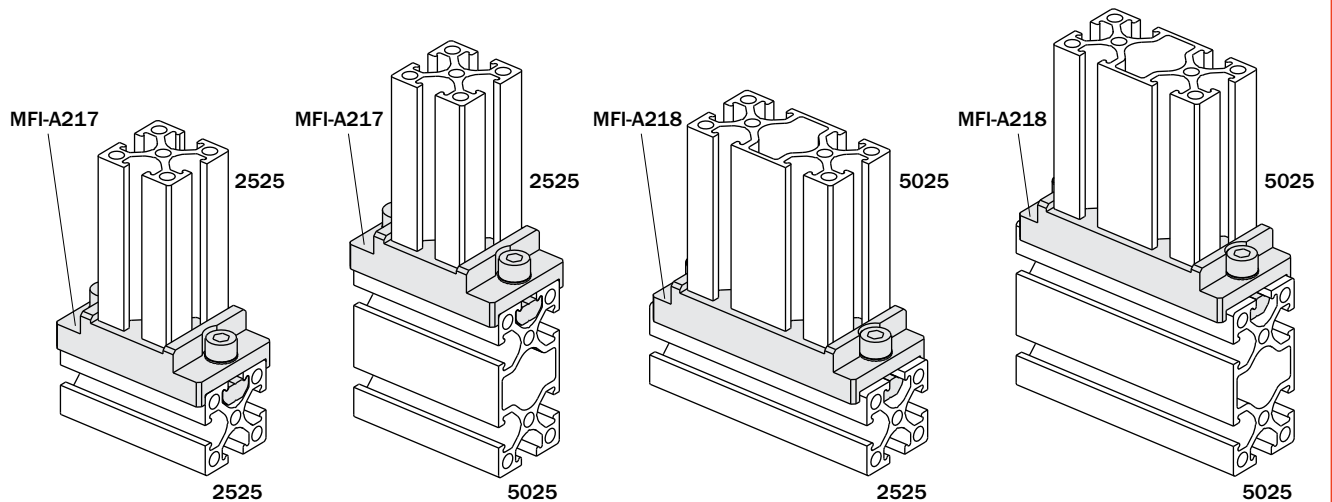
(kit with screws)

	MFI-A217	MFI-A218
A [mm]	25	50
B [mm]	17.5	42.5
C [mm]	50	70
EMB	2525	2525
EMF	5025	5025
Weight	65 g	85 g
Price	\$26.00	\$27.00

FIRST ANGLE PROJECTION



**Application example**



**Vertical fastening of the profiles**

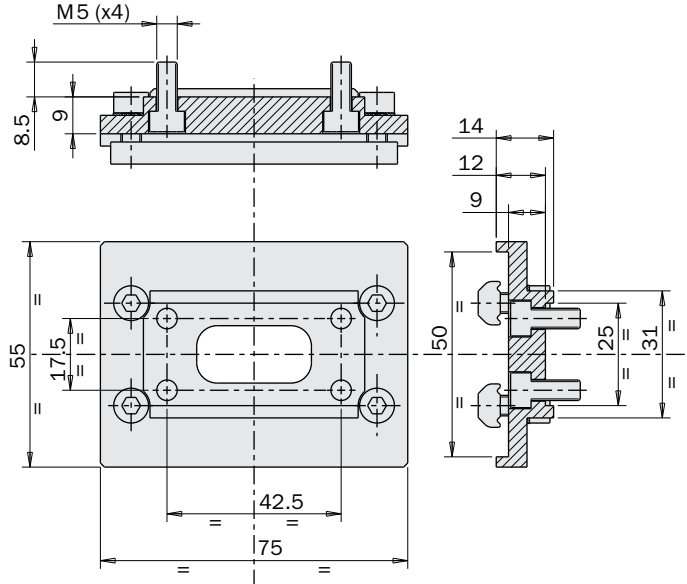
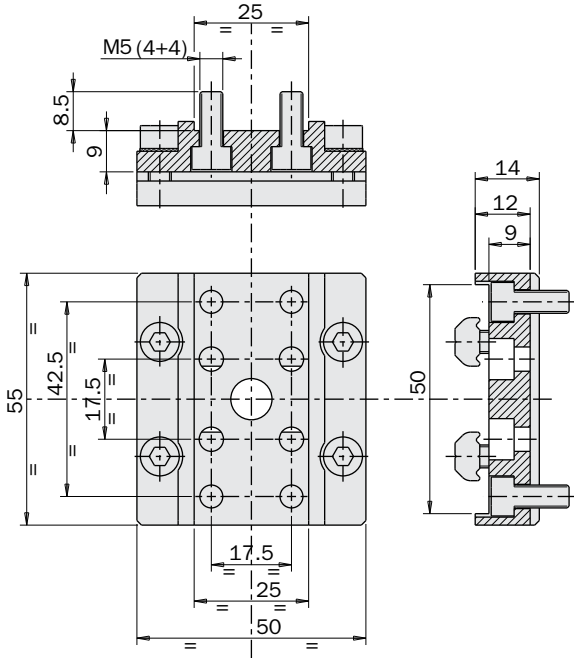
(kit with screws)

**MFI-A219**

Weight	110 g
Price	\$28.00

**MFI-A220**

Weight	140 g
Price	\$29.50



FIRST ANGLE PROJECTION



**Application example**

