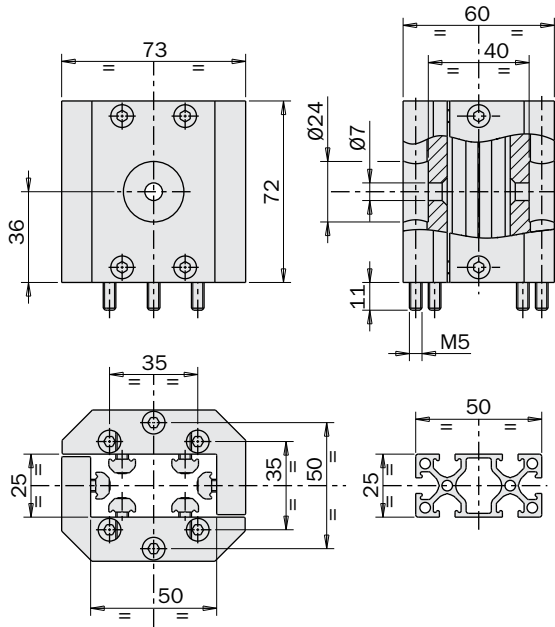


**Interface for square profile/Quick Changer**

(kit with screws)

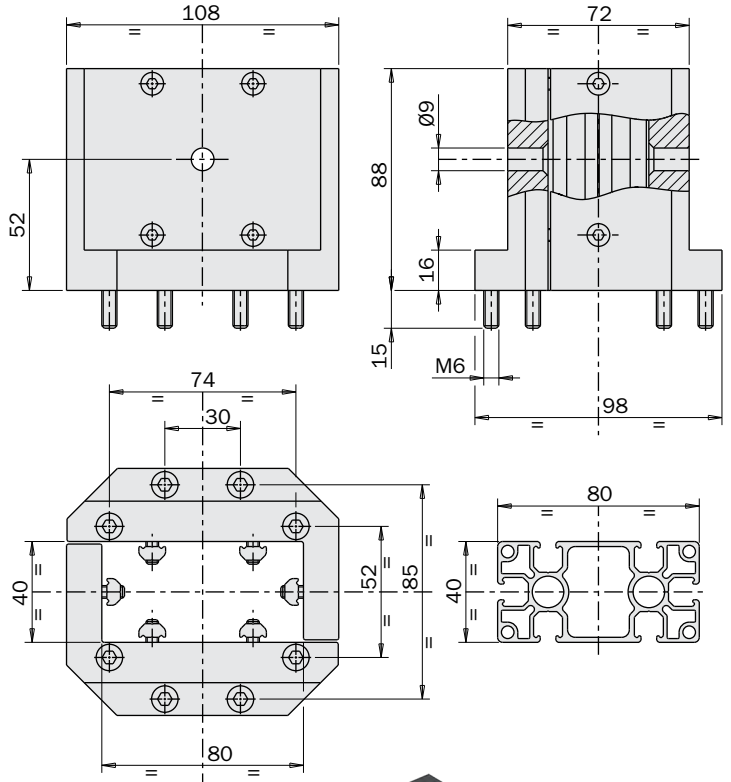
**MFI-A254**

|        |          |
|--------|----------|
| Weight | 680 g    |
| Price  | \$175.00 |



**MFI-A255**

|        |          |
|--------|----------|
| Weight | 1300 g   |
| Price  | \$295.00 |



FIRST ANGLE PROJECTION



**Application example**

