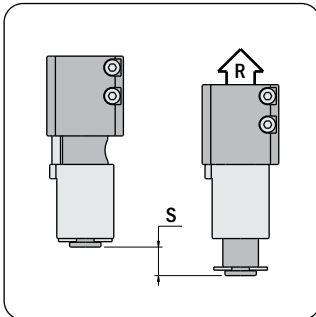
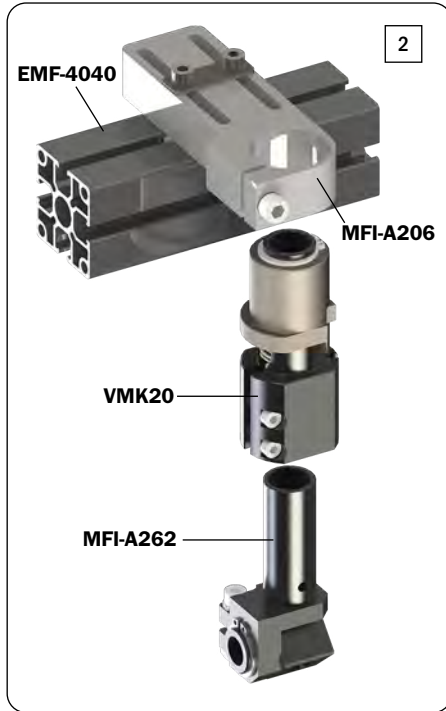
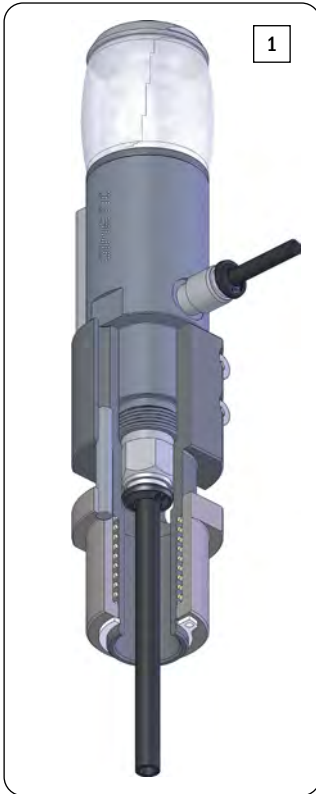


Non-rotative universal suspensions

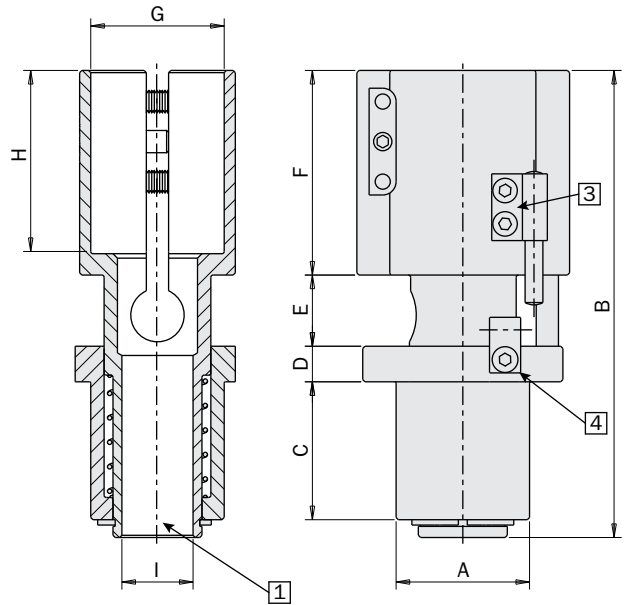
- For all actuators and brackets with 14mm, 20mm and 30mm tang.
- With through hole for air hoses [1].
- Clamp mounting [2].
- Optional magnetic sensor.
- Optional inductive sensor (not for VMK14).
- FDA-H1 food-grade grease.



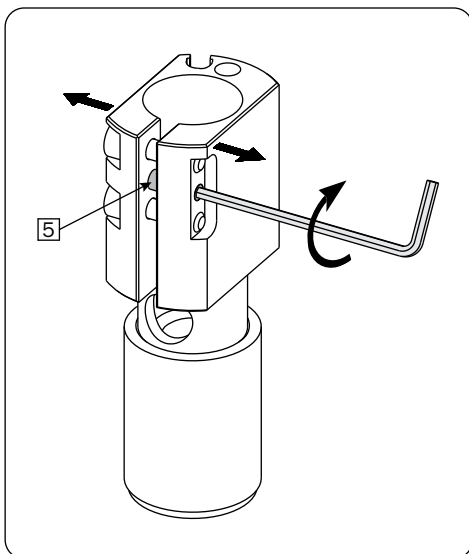
	VMK14	VMK20	VMK30
Spring reaction force (R)	5 ÷ 6 N	7 ÷ 10 N	7 ÷ 10 N
Suspension stroke (S)	10 mm	13 mm	16 mm
Weight	55 g	160 g	250 g
Price	\$165.00	\$188.00	\$218.00

Dimensions (mm)

	VMK14	VMK20	VMK30
A	Ø20	Ø30	Ø30
B	67	86	105
C	21	27	31
D	5	7	8
E	10	13	16
F	28	35	46
G	Ø14	Ø20	Ø30
H	14	31.5	41.2
I	Ø6	Ø16	Ø16
L	22	30	35
M	Ø27	Ø37	Ø48
N	22	26.5	29
O	16	16.5	19



FIRST ANGLE PROJECTION



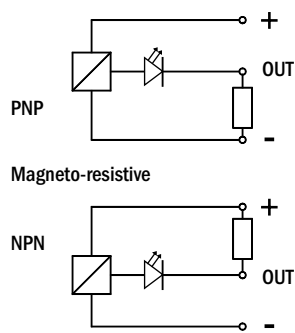
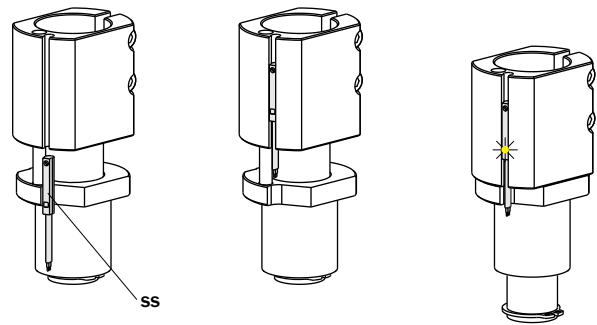
- E** Suspension stroke
- 1** Through hole for hoses
- 2** Slot for magnetic sensor
- 3** Inductive sensor fastening bracket (not for VMK14)
- 4** Bracket for metal pin (not for VMK14)
- 5** Grub screw for clamp opening

Sensors (optional)

The compressed position of the suspension can be detected by a magnetic sensor, or an inductive sensor (not for VMK14).

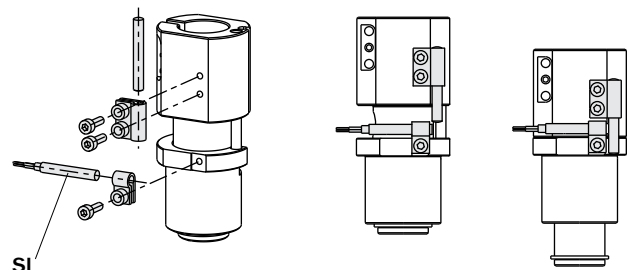
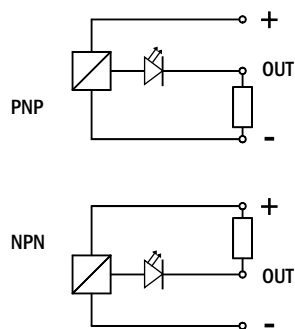
Magnetic sensors

SN4N225G	\$26.14	PNP	2.5m cable
SN4M225G	\$26.14	NPN	2.5m cable
SN3N203G	\$29.96	PNP	M8 snap plug connector
SN3M203G	\$29.96	NPN	M8 snap plug connector
SS4N225G	\$26.14	PNP	2.5m cable
SS4M225G	\$26.14	NPN	2.5m cable
SS3N203G	\$29.96	PNP	M8 snap plug connector
SS3M203G	\$29.96	NPN	M8 snap plug connector



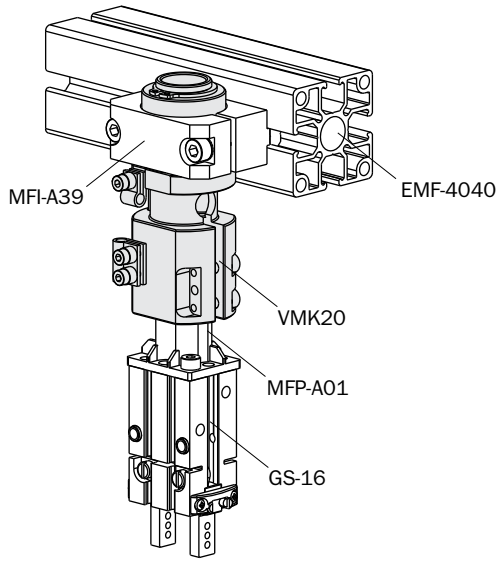
Inductive sensors

GSG-IS-NPN	\$58.50	NPN	2.5m cable
GSG-IS-PNP	\$58.50	PNP	2.5m cable

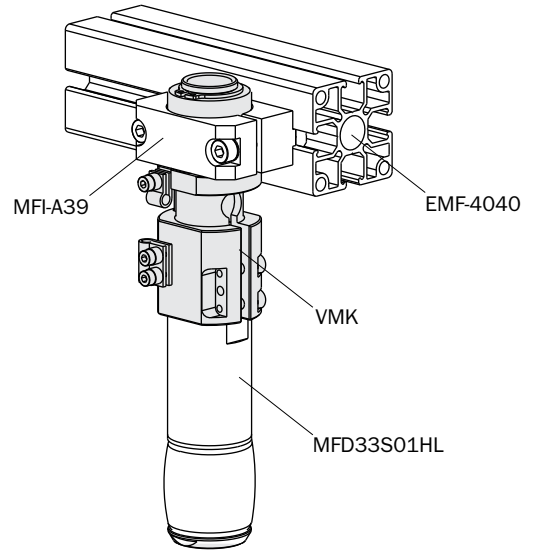


Application examples

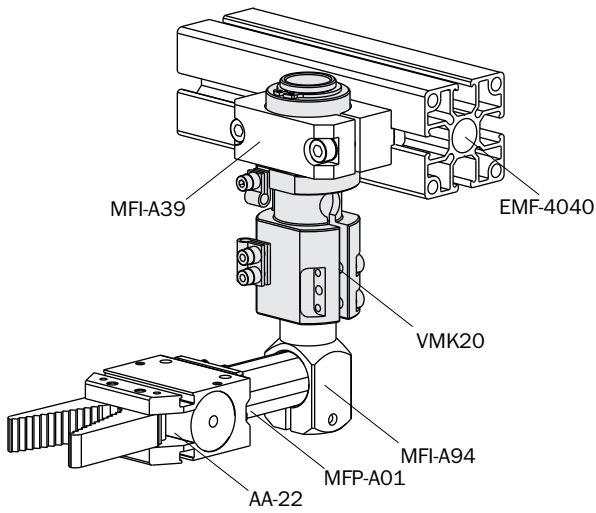
Buffering of a parallel gripper GS.



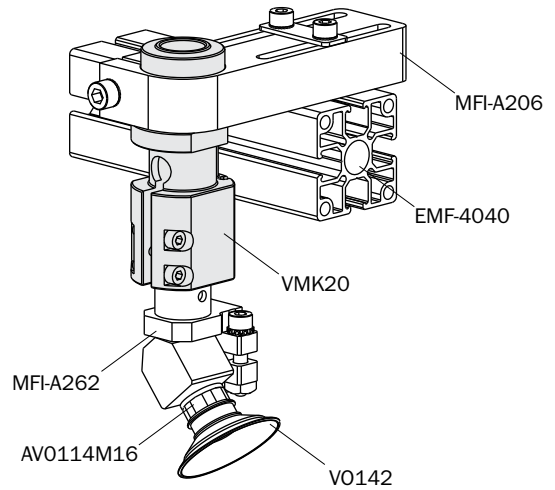
Buffering of an expansion gripper MFD/MFU.



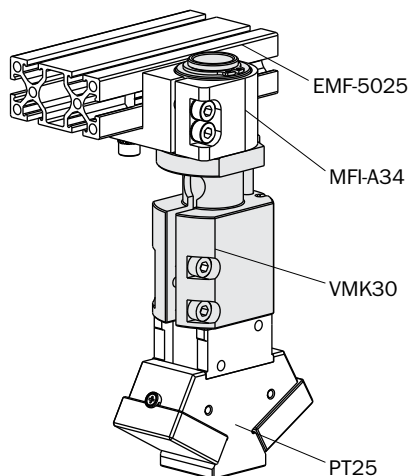
Buffering of a sprue gripper AA.



Buffering of a vacuum cup V01.



Buffering of a needle gripper PT.



Buffering of an one finger gripper OF.

