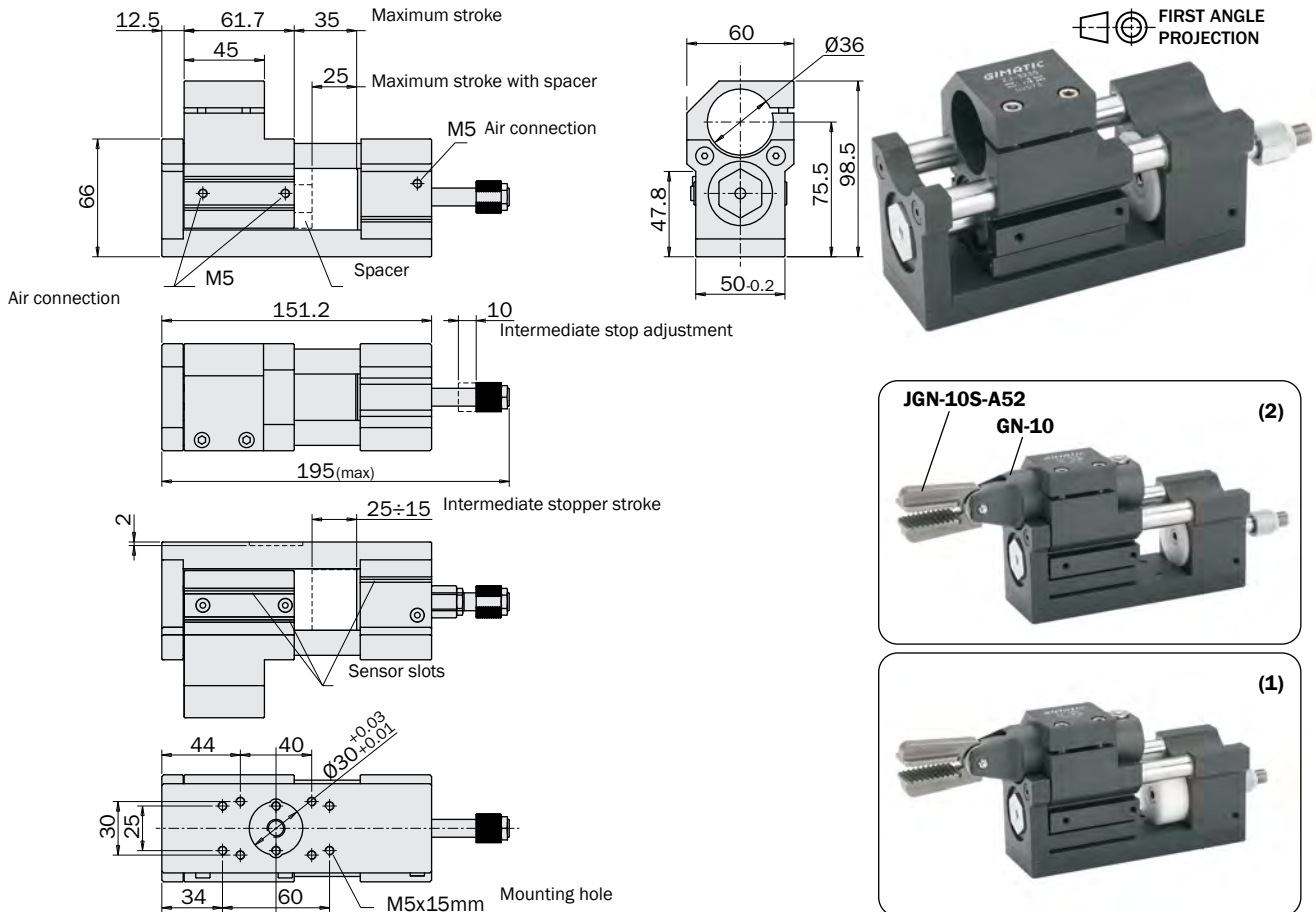


Double stroke slide for large sprue grippers

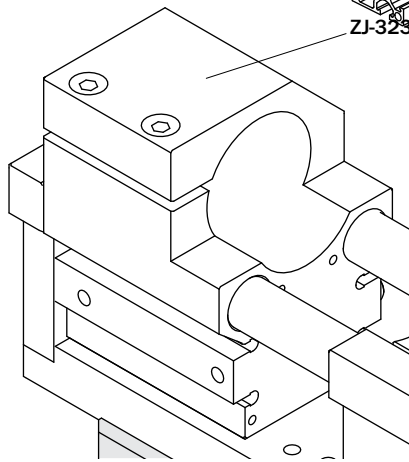
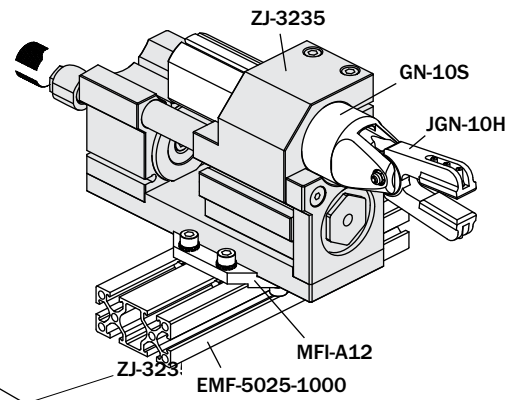
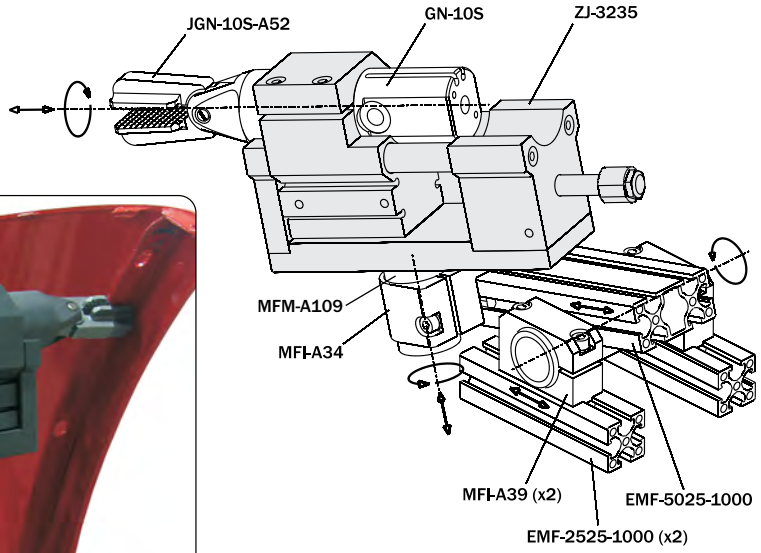
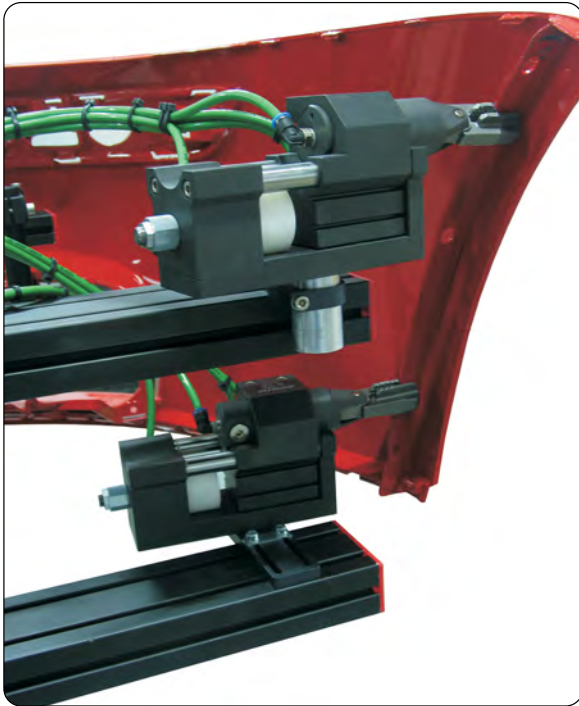
- Double-effect main cylinder with piston bore 32mm and stroke 35mm.
- Single-acting intermediate stopper (1).
- Dia. 36mm clamp for GN-10 actuator (2).
- Used for car bumpers extracting.
- Optional magnetic sensors.
- Stroke reduction spacer included.

ZJ-3235	
Price	\$461.00
Medium	Filtered, lubricated / non lubricated compressed air
Pressure range	29-116 psi
Temperature range	41-140 °F
Main stroke without spacer	35 mm
Intermediate stroke without spacer	10-20 mm
Main stroke with spacer	25 mm
Intermediate stroke with spacer	0-10 mm
Pulling force at 87 psi	101 lbf
Weight	1330 g

Dimensions (mm)



Application example



Spacer mounting

