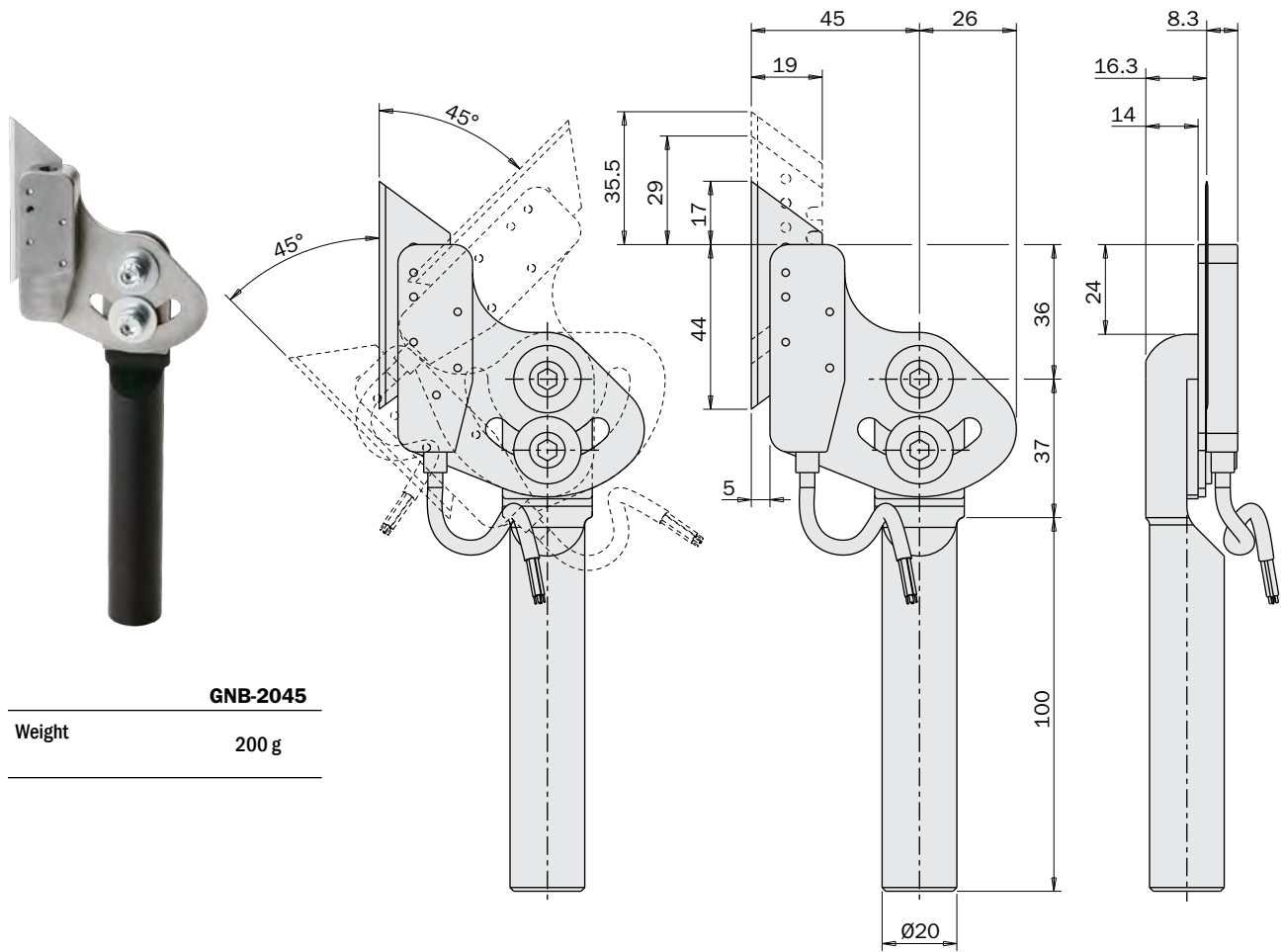


Blade holder

- Suitable for trimming, degating and deburring.
- Continuously adjustable angle from -45° to +45°.
- Optional heating system.



	GNB-2045
Weight	200 g

Application example

Spare blade (10 pieces package)	(LA)	376Y234-10	\$17.60
Cartridge resistance + thermocouple	(RT)	GSE-25200-CHTC	\$76.38
Cartridge resistance + thermocouple	(RT)	GSE-HC20-CHTC	\$136.00
Temperature range		392 - 752°F	
Power		100W	
Heater control box	(TE)	GSETCHP CM	\$598.00

