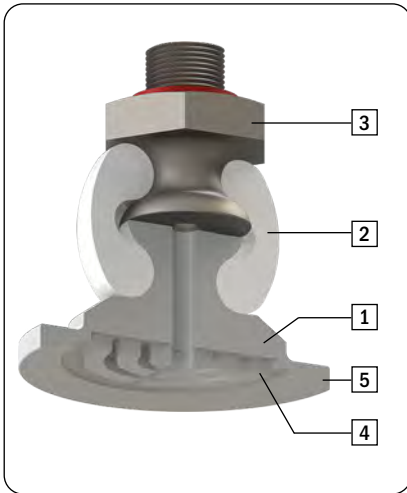


Vacuum gripping system for "organo sheet"

- PTFE vacuum cup [1].
- Flexible silicone bellow [2].
- Stainless steel nipple [3].
- Working temperature up to 250 °C.
- The PTFE cup does not stick to hot polymers and fibres.
- The supporting ribs avoid the suction of the soft materials [4].
- The flexible lip allows a good vacuum even at the low temperatures [5].
- The elastic suspension allows axial and angular movements.



	PAAT16R	PAAT20R	PAAT30R	PAAT40R	PAAT50R
Weight	9 g	9 g	35 g	37 g	41 g
Price	\$69.50	\$69.50	\$79.00	\$87.25	\$97.00

Dimensions (mm)

