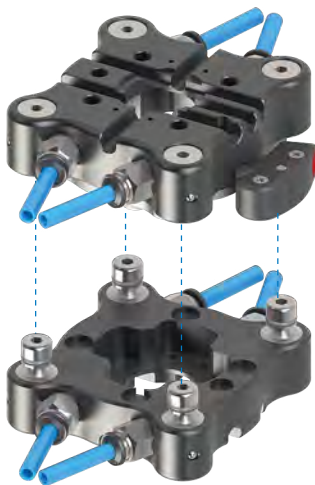
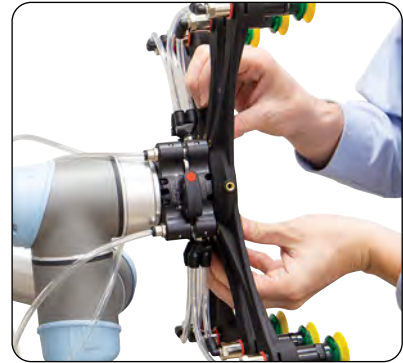
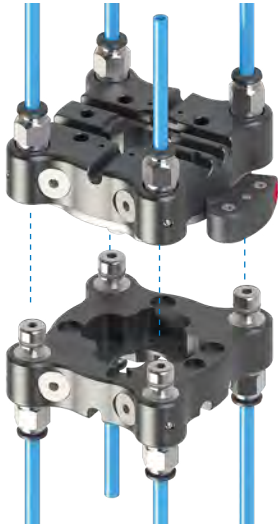


QC75

Quick changer for collaborative robots

- Streamlined surfaces.
- ISO 9409-1-50-4-M6 mounting pattern.
- Through hole in the middle for the optional electric connections.
- 4 integrated air ports in the pins.
- In-line or perpendicular output of the air hoses.
- The two parts (robot side and gripper side) are supplied separately.



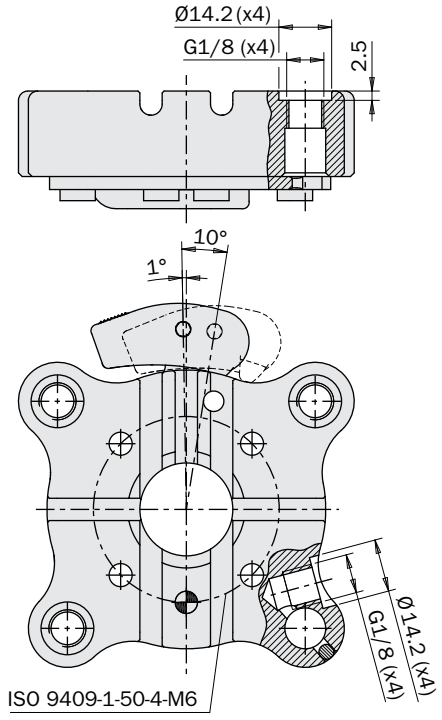
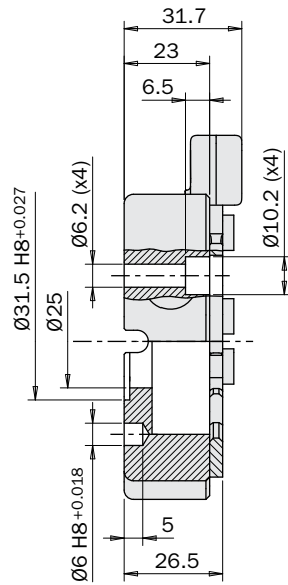
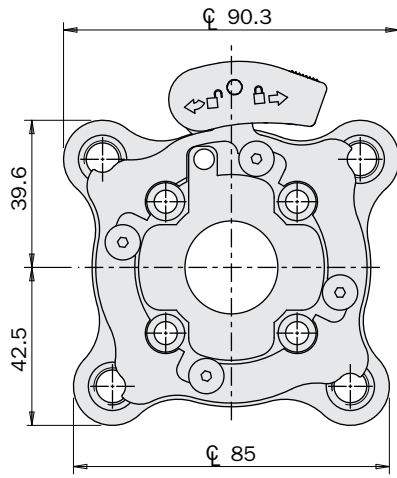
NEW

NEW

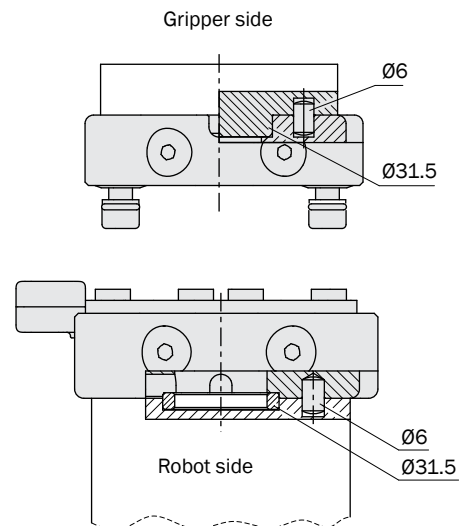
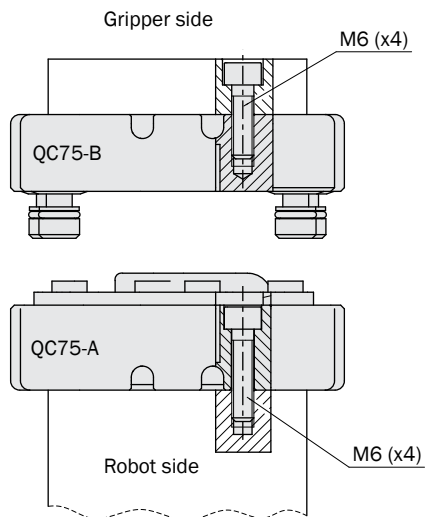
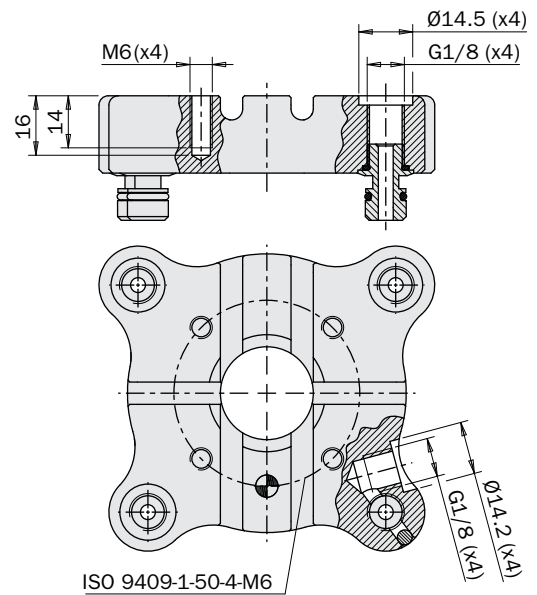
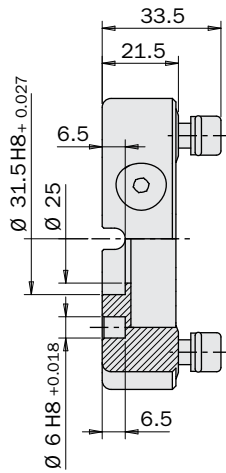
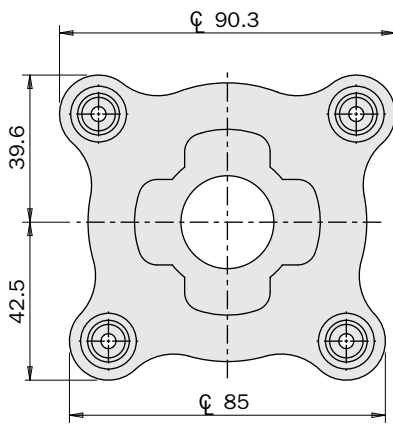
	QC75-A	QC75-B
Price	\$387.00	\$246.00
	Robot side quick changer	Quick changer (gripper side)
Medium	Filtered, lubricated / non lubricated compressed air	
Pressure range	-14 - 116 psi	
Temperature range	41 - 140°F	
Weight	300 g	260 g

Dimensions (mm)

QC75-A



QC75-B

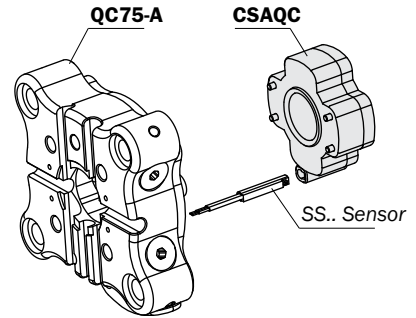
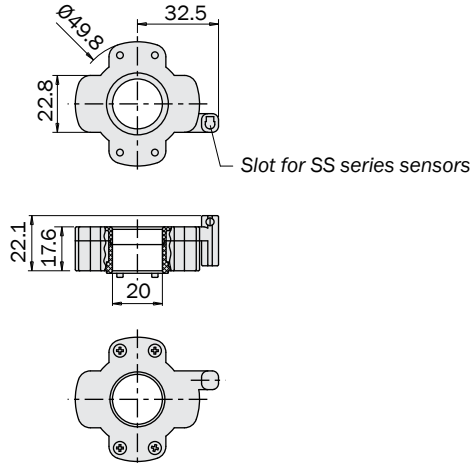


CSAQC (Robot side)

- Sensor holding box for the locking confirmation.

NEW

CSAQC	
Weight	15g
Price	\$30.77



CMAQC (Robot side) + CMBQC (Gripper side)

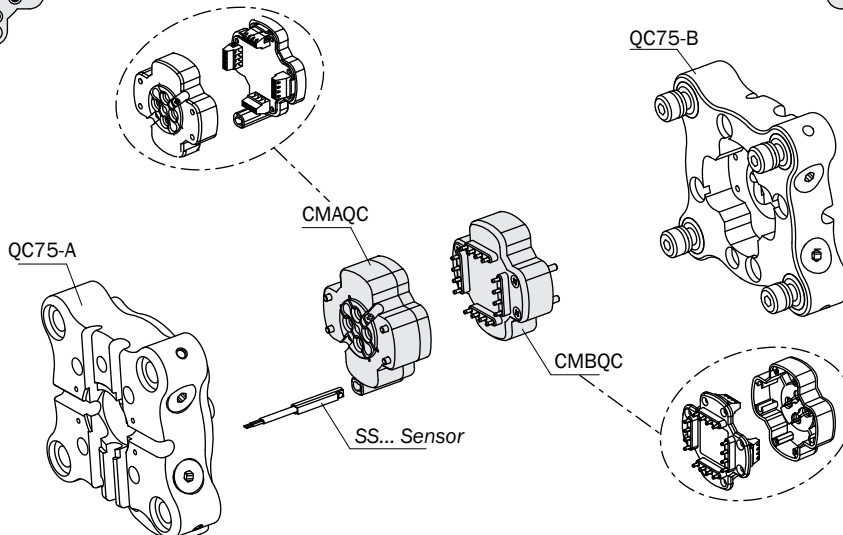
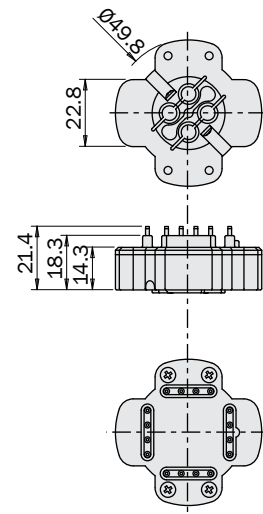
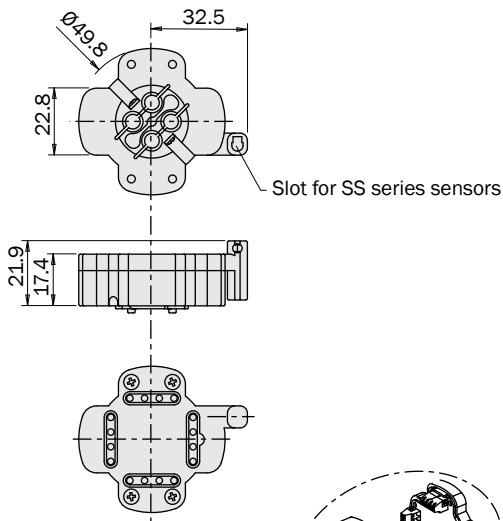
- The two parts are supplied separately.
- 16 reconfigurable electric lines with screw terminals.
- 16 spring connectors.
- Sensor slot for the locking confirmation in CMAQC.

NEW

CMAQC	
Weight	19g
Price	\$35.45

NEW

CMBQC	
Weight	19g
Price	\$83.45



CRAQC (Robot side) + CRBQC (Gripper side)

- The two parts are supplied separately.
- 16 available prewired electric lines.
- 16 spring connectors.
- Sensor slot for the locking confirmation in CRAQC.
- RFID prewired (2 additional 8-pole cables) reader in CRAQC.
- TAG in CRBQC for the gripper recognition.

NEW

CRAQC	
Weight	140g
Price	\$399.50

NEW

CRBQC	
Weight	80g
Price	\$134.25

