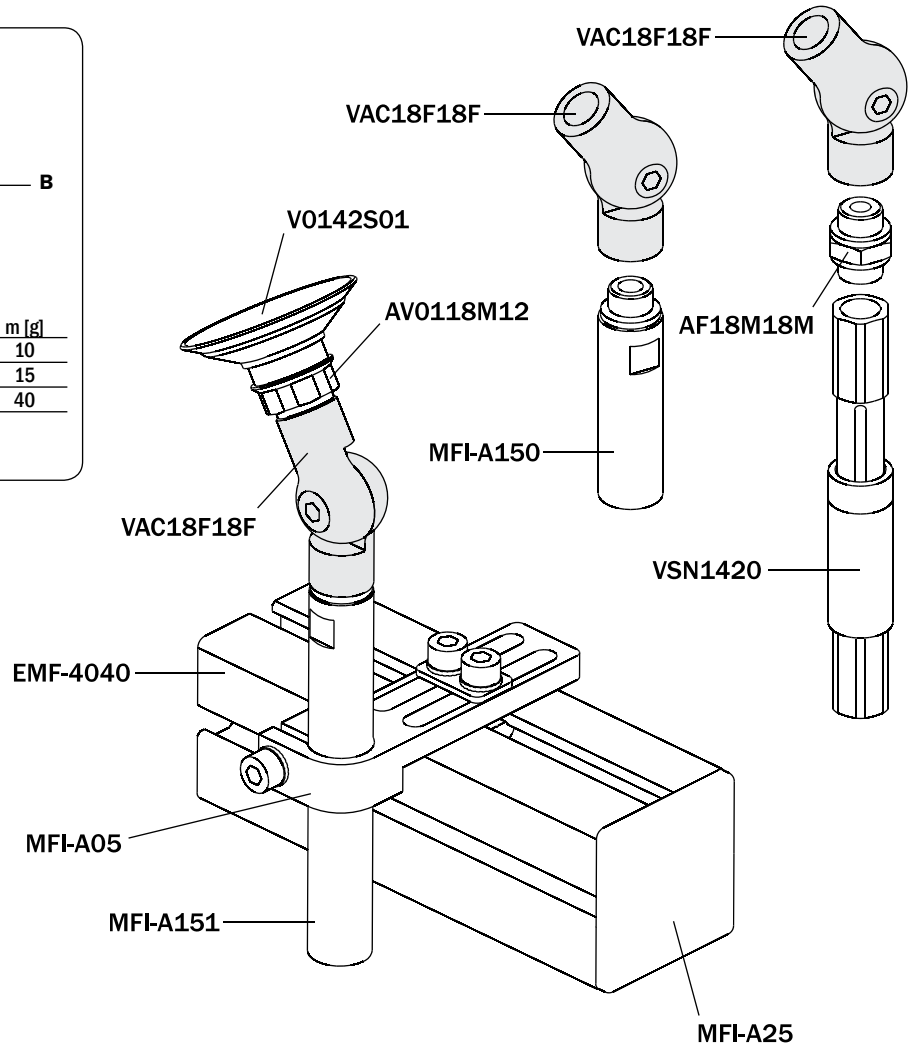
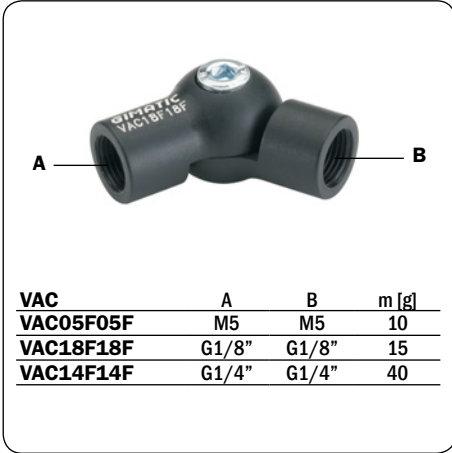
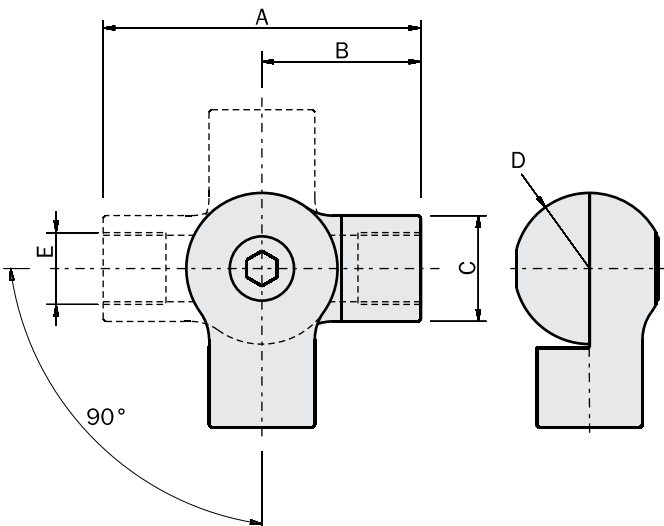


## Elbow arms

- Not for compressed air (only vacuum).
- They are mounted between the vacuum cup and its support by two female threads.
- They are used to tilt the vacuum cup with respect to the support under a predefined angle.
- It is possible to set continuously the angle from 0° to +/-90°.
- By tightening one screw the angle is fixed.
- Integrated vacuum channel.



### Dimensions (mm)



	VAC05F05F	VAC18F18F	VAC14F14F
A	33	42	56
B	16.5	21	28
C	Ø10	Ø14	Ø20
D	R8	R10	R14
E	M5	G1/8"	G1/4"
Price	\$12.96	\$13.95	\$19.44